



**RAVEN**® RQ-11B

Raven is a lightweight Unmanned Aircraft System (UAS) designed for rapid deployment and high mobility for both military and commercial applications, requiring low-altitude intelligence, surveillance, and reconnaissance (ISR). Raven is the most prolific small UAS deployed with the U.S. Armed Forces. The vehicle can be operated manually or programmed for autonomous operation, utilizing the system's advanced avionics and precise GPS navigation.

# Rapid Deployment and High Mobility

RAVEN®

## DISTINCTIONS



» LINK RANGE  
10 km



» WINGSPAN | » LENGTH  
4.5 ft (1.4 m) | 3 ft (0.9 m)



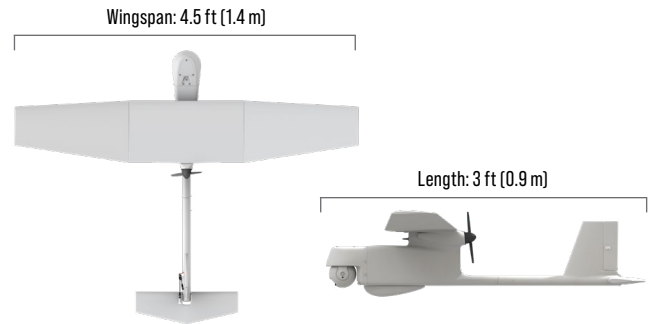
» WEIGHT  
4.2 lb (1.9 kg)



» ENDURANCE  
60-90 min

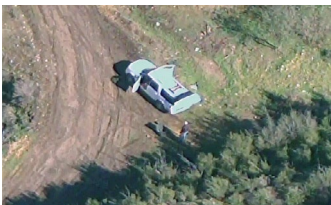
## SPECIFICATIONS

|                           |  |
|---------------------------|--|
| <b>PAYLOADS</b>           | Advanced EO/IR; stabilized gimbal with IR pointer                      |
| <b>LINK RANGE</b>         | 10 km  |
| <b>ENDURANCE</b>          | 60-90 min  |
| <b>SPEED</b>              | Cruise: 32 km/h (17 kts), Dash: 81 km/h (44 kts)                       |
| <b>OPERATING ALTITUDE</b> | 100-500 ft (30-152 m) AGL, typical<br>Max. launch 14k ft (4,267 m) MSL |
| <b>WINGSPAN</b>           | 4.5 ft (1.4 m)   |
| <b>LENGTH</b>             | 3 ft (0.9 m)   |
| <b>WEIGHT</b>             | 4.2 lb (1.9 kg)  |
| <b>GCS</b>                | Common GCS with Puma™ AE and Wasp® AE                                  |
| <b>LAUNCH METHOD</b>      | Hand-launched  |
| <b>RECOVERY METHOD</b>    | Deep-stall landing   |



## KEY FEATURES

- » Small size, lightweight & hand-launched
- » Autonomous navigation & autoland
- » Rugged for extended, reliable use in harsh environments
- » Delivers realtime situational awareness
- » Increases combat effectiveness and force protection



Downlink imagery from EO camera



Downlink imagery from IR camera