



**MILITARY[®]
SYSTEMS
GROUP**

BECAUSE LIVES DEPEND ON IT



PRODUCT CATALOG



MILITARY SYSTEMS GROUP

BECAUSE LIVES DEPEND ON IT

Military Systems Group is one of world's most widely used designer and producer of military machine gun mounting systems, Gunner Protection Kits (GPK) and Turrets. Since 1977, governments and units around the world have depended on MSG's products because we design and build them knowing that lives depend on them.

WHAT WE DO

MSG designs, integrates, and manufactures weapons mounts for a wide variety of weapons and ground vehicles, aircraft and maritime craft.

2022 Product Catalog

AS9100 CERTIFIED
ISO 9001

GSA GS-07F-5960R

DUNS 62734704

ITAR REGISTERED

CAGE ODDWS

MADE IN USA

SDVOSB

FFL Type 10

NIST800.171
and CMMC Rated

WHAT SETS US APART

Our People. We served. We know the challenges firsthand.

Mission Focus. We quickly turn complex challenges into innovative material solutions that work in the field.

Combat Tested. Four decades of fielded product experience under the most difficult conditions.

Innovation. We know that what worked yesterday is not good enough for tomorrow.

Vertical Integration. We solve problems and produce final products in-house. Under one roof, we have engineers, R&D and production manufacturing, supply-chain managers and quality systems.

Proprietary Products. We have hundreds of our own designs ready to produce.

Quality. We operate within the AS9100 and ISO 9001 quality management system.

Large Format Fabrication. MSG leverages its sister company for large fabrication and contract manufacturing requirements. See page 78.

The appearance of U.S. Department of Defense (DoD) visual information does not imply or constitute DoD endorsement.

Cover photo courtesy of 75th Ranger Regiment.

All items are regulated by the US Department of State and cannot be exported without a valid license.

Ver. BECKER35 © 2021 Military Systems Group, Inc. All rights reserved.



TABLE OF CONTENTS

6



AVIATION MACHINE GUN MOUNTING SYSTEMS

18



MACHINE GUN MOUNTING SYSTEMS BY WEAPON

26



TURRETS AND GUNNER PROTECTION KITS

29



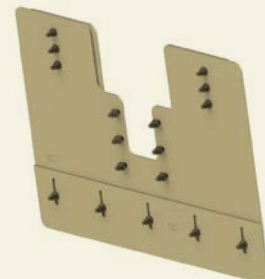
TURRET AMMO CAN HOLDERS (ACH)

36



BEARING SLEEVES AND UNIVERSEAL PINTLE ADAPTERS (UPA)

38



FRONT SHIELDS

TABLE OF CONTENTS

40



PEDESTALS

42



SWING ARMS AND MOUNTING PINTLES

44



GROUND VEHICLE WEAPON MOUNTING SYSTEMS

64



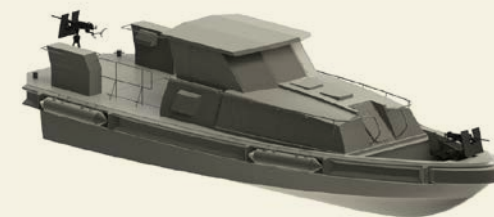
MISC VEHICLE ACCESSORIES

66



MOUNTED AMMO CAN HOLDERS (ACH)

68



NAVAL SYSTEMS

78

LARGE FORMAT FABRICATION



AVIATION WEAPON SYSTEMS

AVIATION WEAPON SYSTEMS



AVIATION MACHINE GUN MOUNT COMPONENTS

PAGE 10



NEXT GENERATION M240 MOUNTING SYSTEM

PAGE 12



H-60/S70 M240 MACHINE GUN MOUNTING SYSTEM

PAGE 13



SINGLE SWING ARM MACHINE GUN MOUNTING SYSTEM

PAGE 14



CH148 CYCLONE M240 MACHINE GUN MOUNTING SYSTEM

PAGE 15



M134 MINIGUN MOUNTING SYSTEMS

PAGE 16



40 YEARS EXPERIENCE

Military Systems Group has designed and manufactured machine gun mounts for over 40 years. Our expertise centers around our understanding of the holistic requirement when weaponizing an aircraft – from custom catchbag sizes, custom field of fire stops, understanding the weapon mount ergonomics, all come together to create and field a combat effective product for your aircraft.

RESOURCES

Qualification and Certification

MSG partners to provide MIL-STD testing, STC certification, and airworthiness certification.

Engineering

Our team of engineers clean-design or modify fielded products for new applications.

MSG has 3D scan capabilities, enabling us to integrate mounts into unique applications.

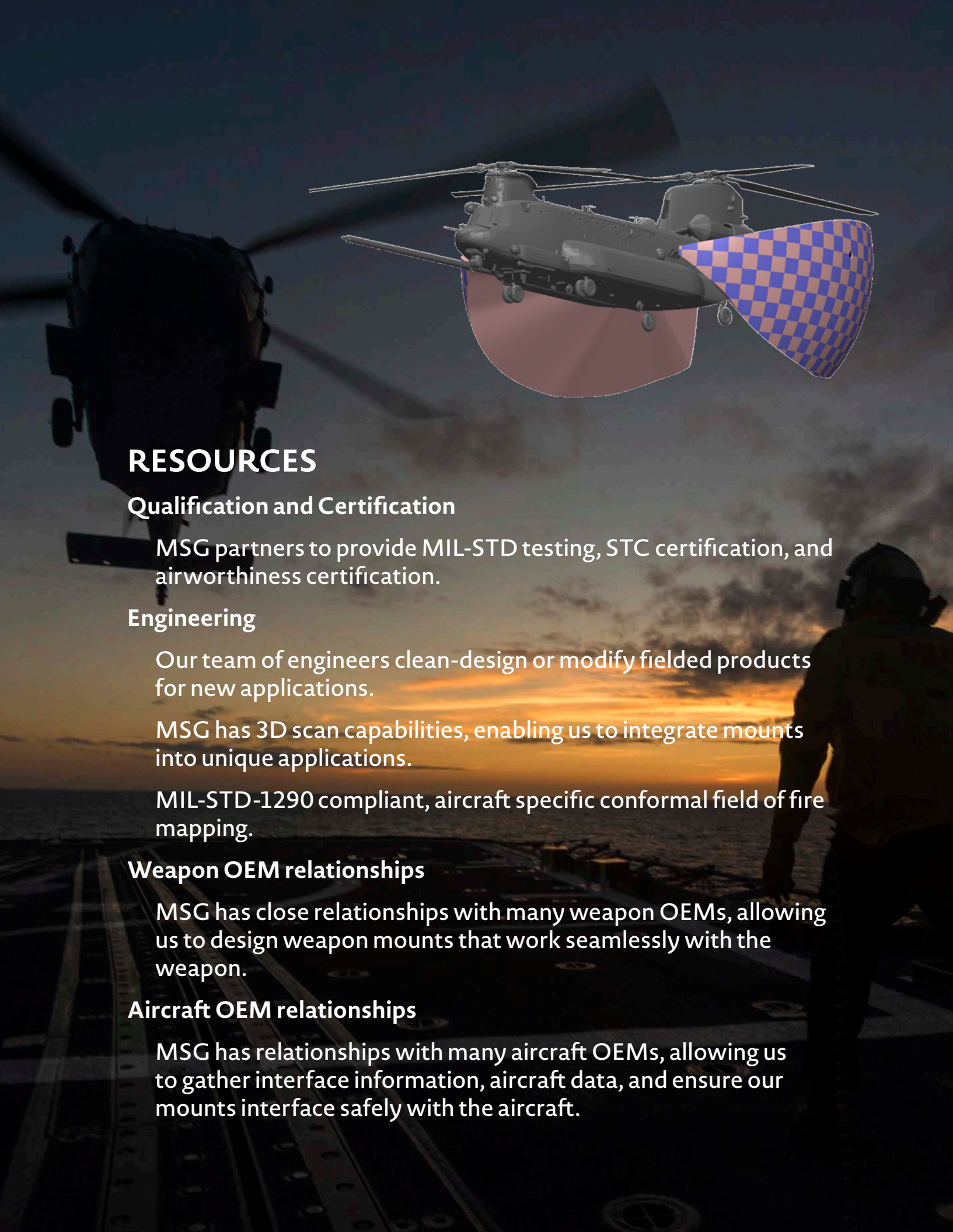
MIL-STD-1290 compliant, aircraft specific conformal field of fire mapping.

Weapon OEM relationships

MSG has close relationships with many weapon OEMs, allowing us to design weapon mounts that work seamlessly with the weapon.

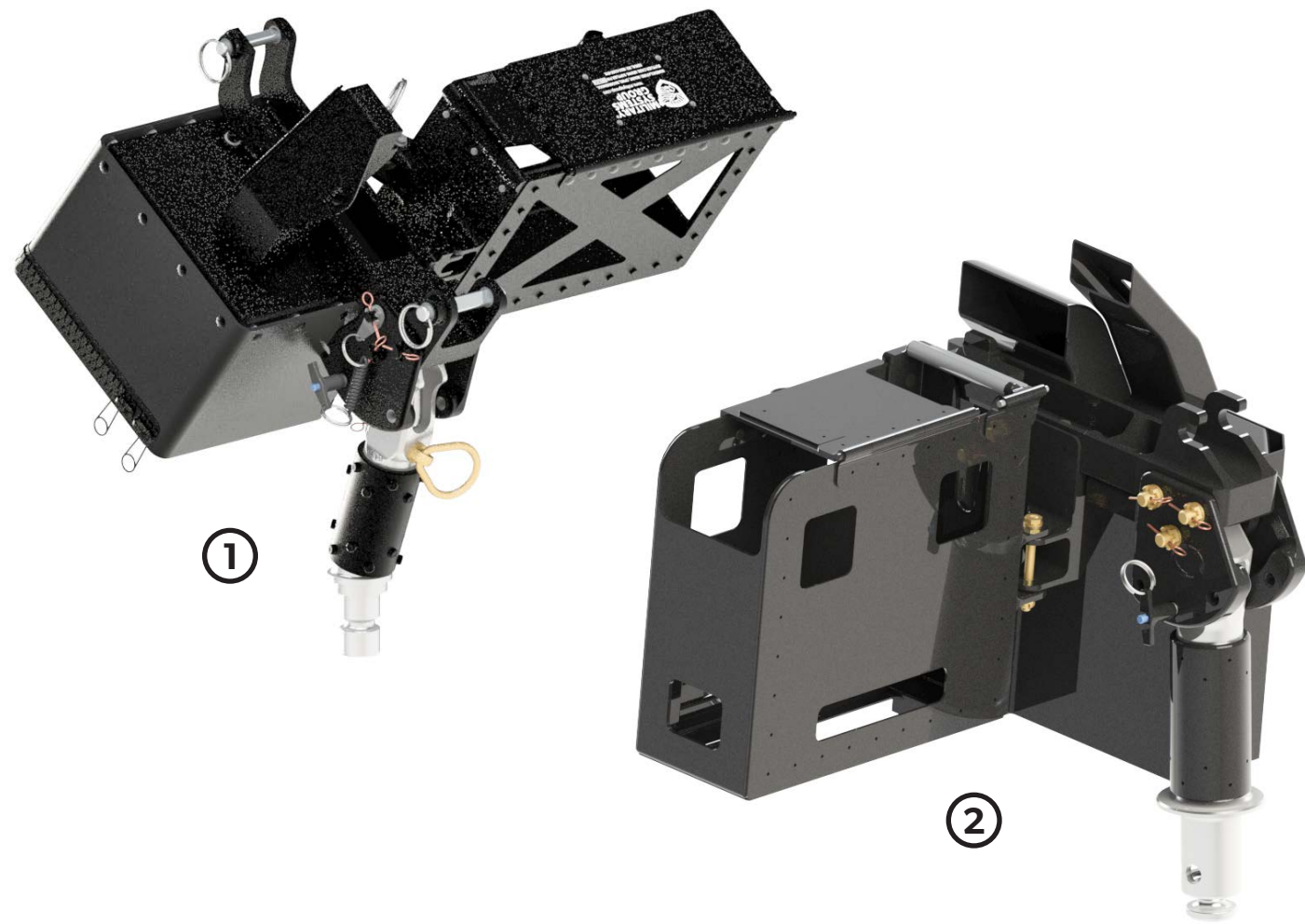
Aircraft OEM relationships

MSG has relationships with many aircraft OEMs, allowing us to gather interface information, aircraft data, and ensure our mounts interface safely with the aircraft.



AVIATION MOUNTS

AVIATION MOUNTS



Aviation Machine Gun Mount Components

1. Aviation M240 Mount

MAS-214

Features and Benefits

- Custom Field-of-Fire
- Catch Bag Options (See adjacent page)
- Lock Plates
- Stow Positions; 0°, 90°
- Folding ACH
- Weight
- 14.6 lbs.

2. Aviation PKM Mount

MAS-145

Features and Benefits

- Custom Field-of-Fire
- Catch Bag Options (See adjacent page)
- Lock Plates
- Stow Positions; 0°, 90°
- Folding ACH
- Weight
- 13.8 lbs.

3. Aviation Base Assembly

With spare barrel holder

MAS-111

MAS-144

4. Aviation Pedestal Base Assembly Pedestal

MAS-107

5. Double Swing Arm

MAS-110

6. Single Swing Arm

MAS-115

7. Legacy Swing Arm

70751-02018-001/002

8. Standard Catch Bag

MAS-114-051

9. Black Hawk Catch Bag

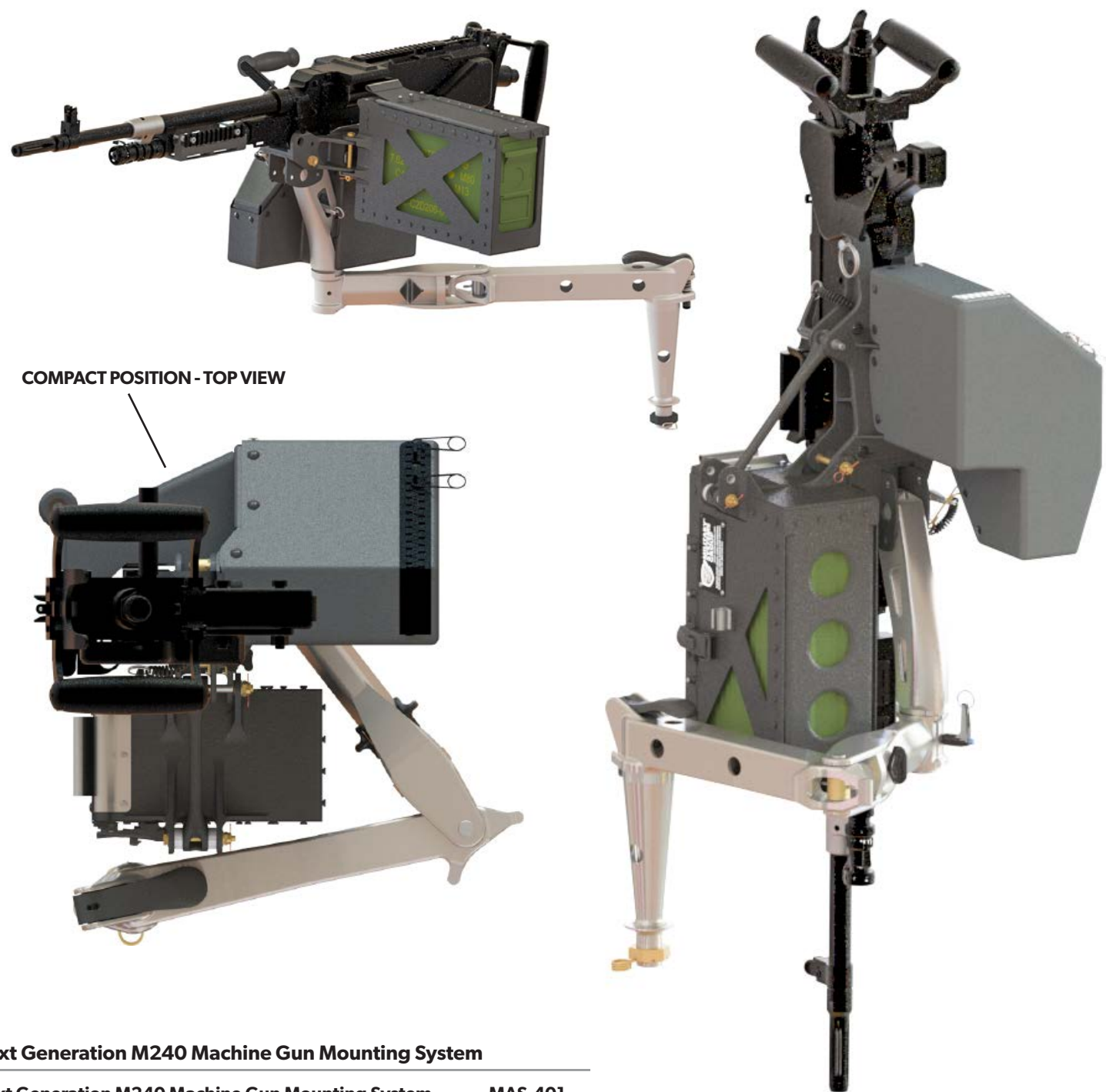
MAS-114-032

Engage with MSG to design and produce customized parts.

NEXT GENERATION M240 MACHINE GUN MOUNTING SYSTEM

H-60/S70 M240 MACHINE GUN MOUNTING SYSTEM

AVIATION MOUNTS



COMPACT POSITION - TOP VIEW

Next Generation M240 Machine Gun Mounting System

Next Generation M240 Machine Gun Mounting System **MAS-401**

Features and Benefits

- Lightest aviation M240 window mount system in MSG history
- Future-proofed for 6.8mm and .338 caliber next generation weapons
- Small inboard stow footprint
- Improved swing arm design eliminates "slop" when locked for firing
- Catchbag optimized for firing in depression
- Toolless installation and removal
- Designed for firing in extended depression for firing past -90°



AVIATION MOUNTS



H-60/S70 M240 Machine Gun Mounting System

Machine Gun Mount Swing Arm **MAS-214**
70751-02018

Features and Benefits

- Drop in, Sikorsky Certified M240 Machine Gun Mount for S70i, S70B and UH60
- Field-of-fire can be modified based on external stores or equipment
- Stow locations can be modified
- Capable of supporting M240 with 24.8" barrel and up to 10" suppressor

SINGLE SWING ARM M240 MACHINE GUN MOUNTING SYSTEM

CH148 CYCLONE M240 MACHINE GUN MOUNTING SYSTEM

AVIATION MOUNTS



SINGLE SWING ARM M240 MACHINE GUN MOUNTING SYSTEM

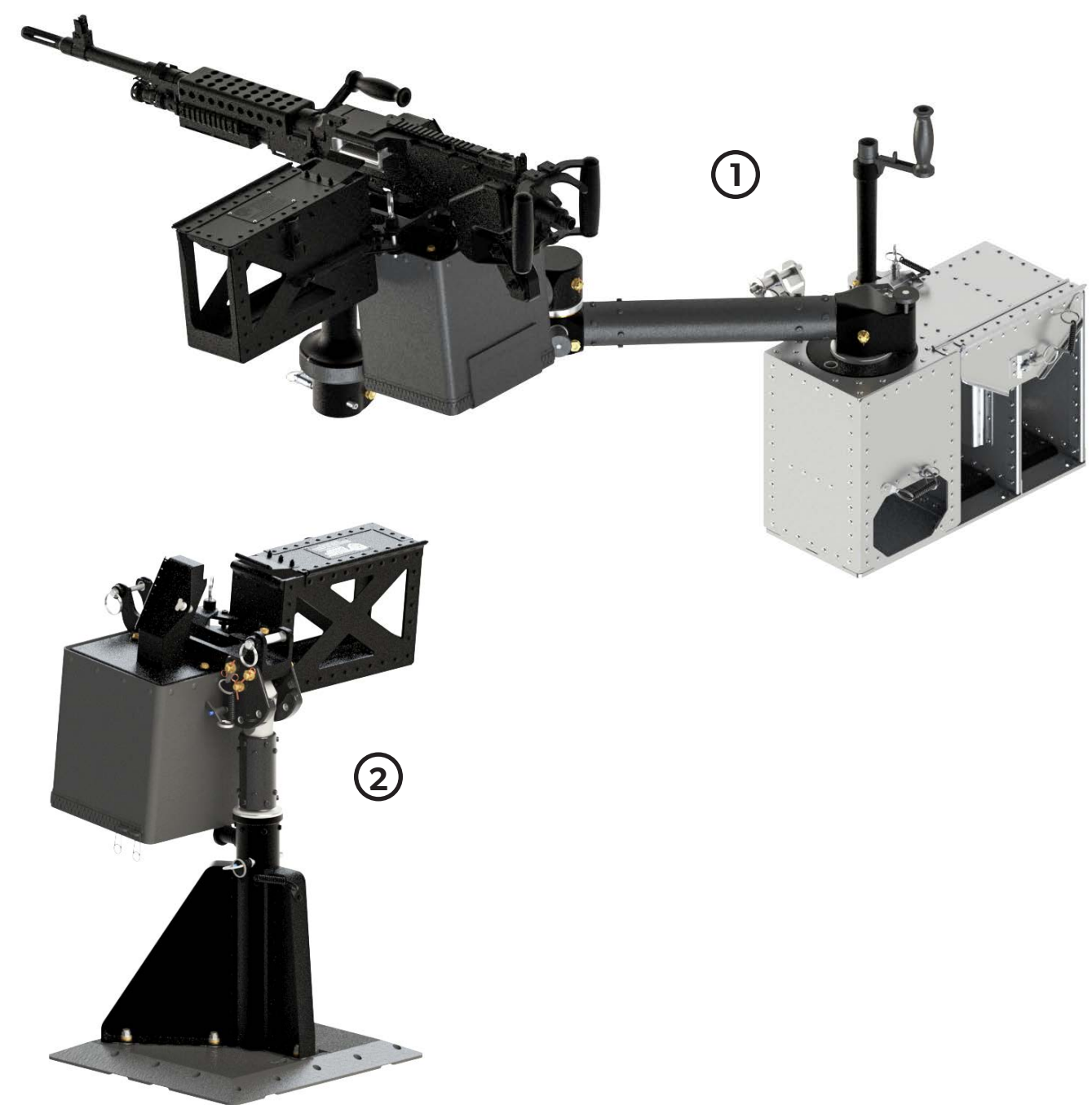
Single Swing Arm M240 Machine Gun Mounting System

MAS-101/102

Features and Benefits

- Left and right, floor-mounted systems
- Mounting base stores two 200rd 7.62 NATO Ammunition Cans
- Mounting base can incorporate a spare barrel holder
- Small inboard stow footprint
- Field-of-Fire stops are built into the system per aircraft requirements

AVIATION MOUNTS



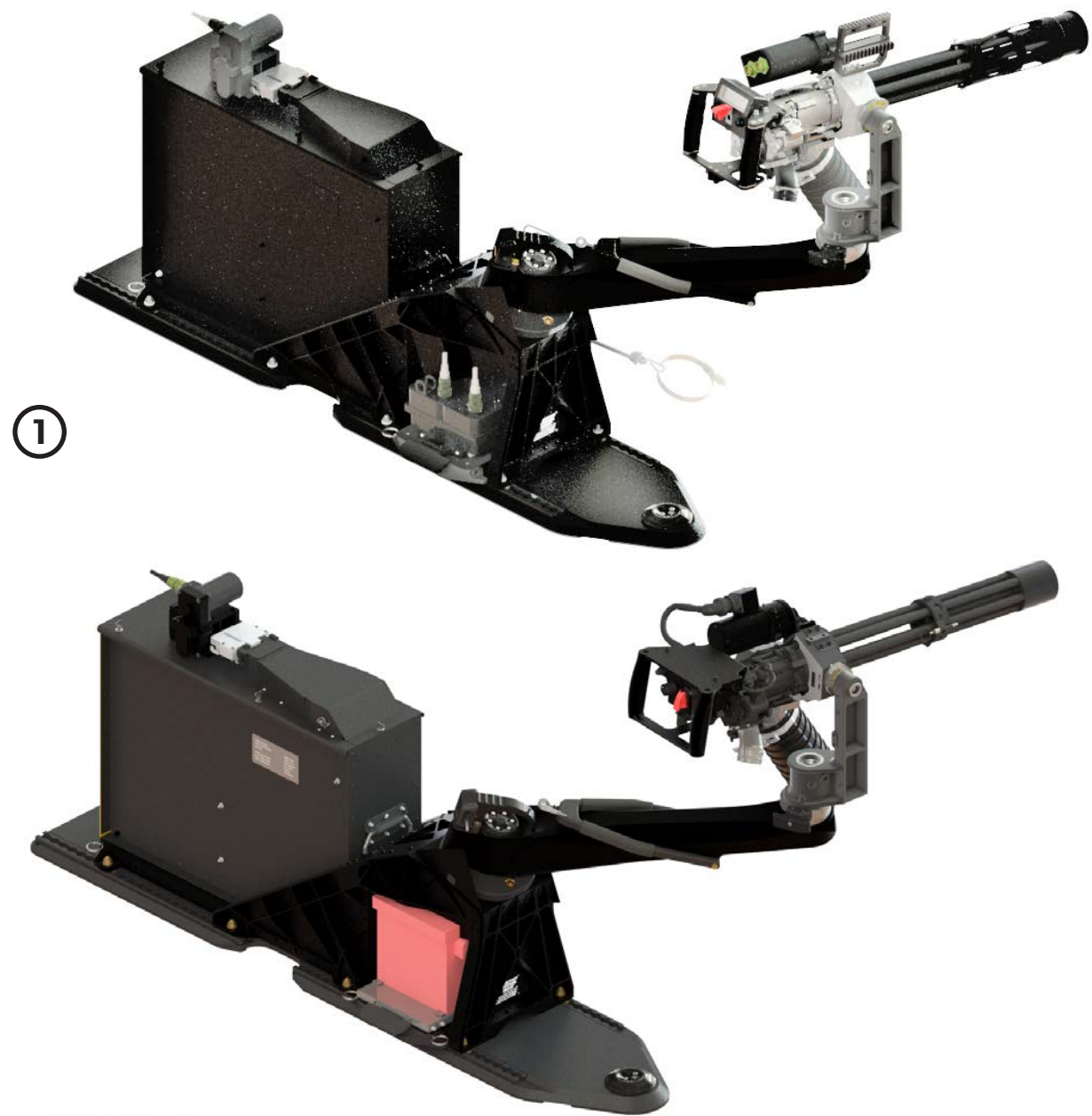
CH148 CYCLONE M240 MACHINE GUN MOUNTING SYSTEM

1. Canadian Maritime Helicopter Program (CHMP) Door Mount
2. Canadian Maritime Helicopter Program (CMHP) Ramp Mount

MAS-104

MAS-103

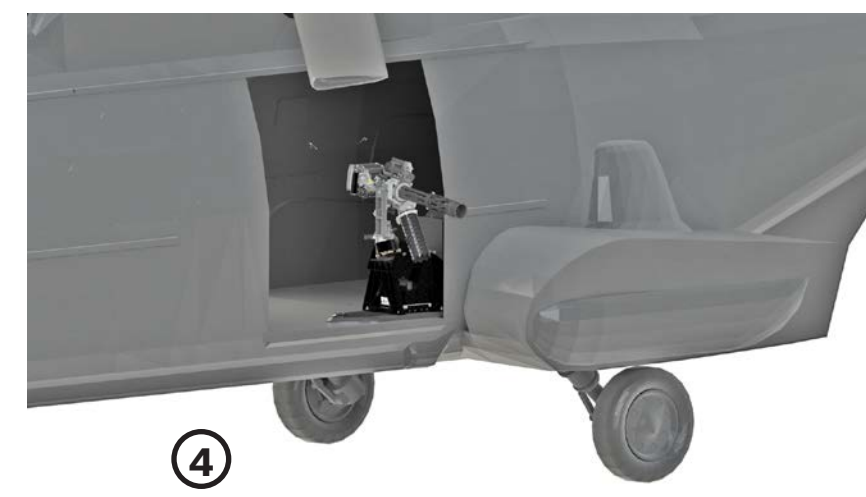
Note: Baseplate easily modified for use in other aircraft



Mi17



H60/S70



EC725
H225M
AS332

Universal M134 Minigun Mount Systems

1. Aerial Universal M134 Door-Ramp Machine Gun Mounting System MAS-302

Features and Benefits

- Stow the weapon vertically over the mount, minimizing cabin intrusion
- Integrated batter and ammunition can reduces system footprint
- Stand alone system, minimal aircraft integration required
- Ready-stow, allows operators to prepare the weapon for firing prior to opening the cabin door

2. Mi17 with Minigun Mounted

3. H-60/S70 with Minigun Mounted

4. EC725/H225M/AS332 with Minigun Mounted



MACHINE GUN MOUNTS

MACHINE GUN MOUNTS

ORGANIZED BY WEAPON



M2/M2HB/M3/MK19

Page 20



M240/M249/MK48

Page 20



MG3

Page 21



M60/MK43

Page 21



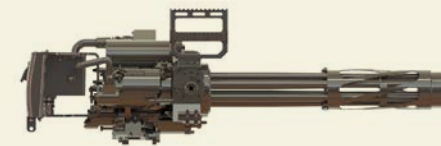
PKM

Page 22



DShK

Page 23



M134

Page 23



MK19 MOD3

Page 20



NSV

Page 23



M230LF/XM914

Page 24

ACCESSORIES

Page 24

M2/M2HB/M3 .50 Cal MK19 MOD3



M240/M249 MK48 See #8



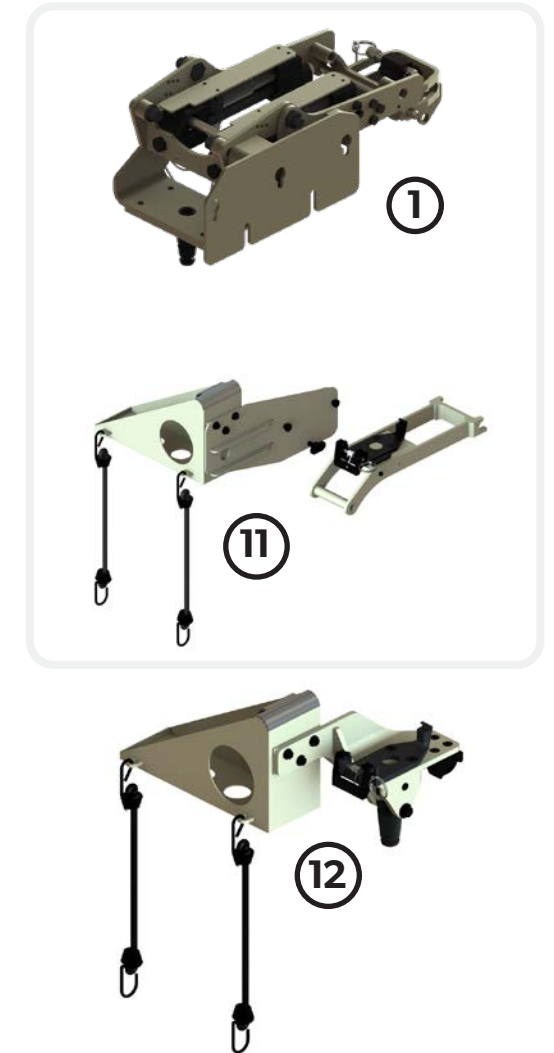
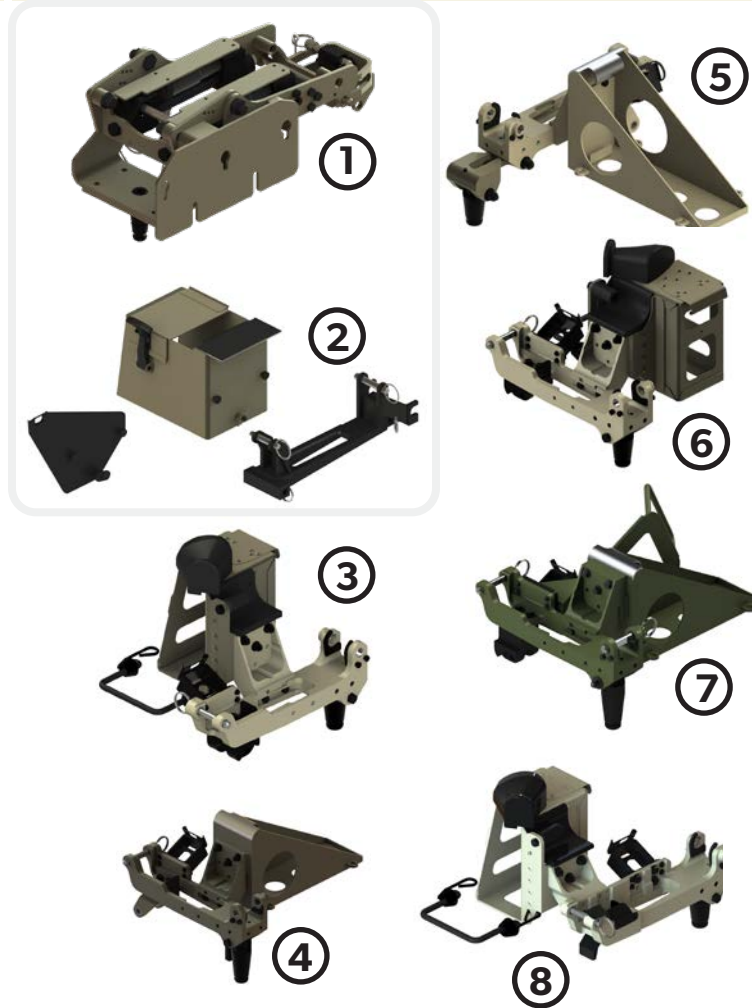
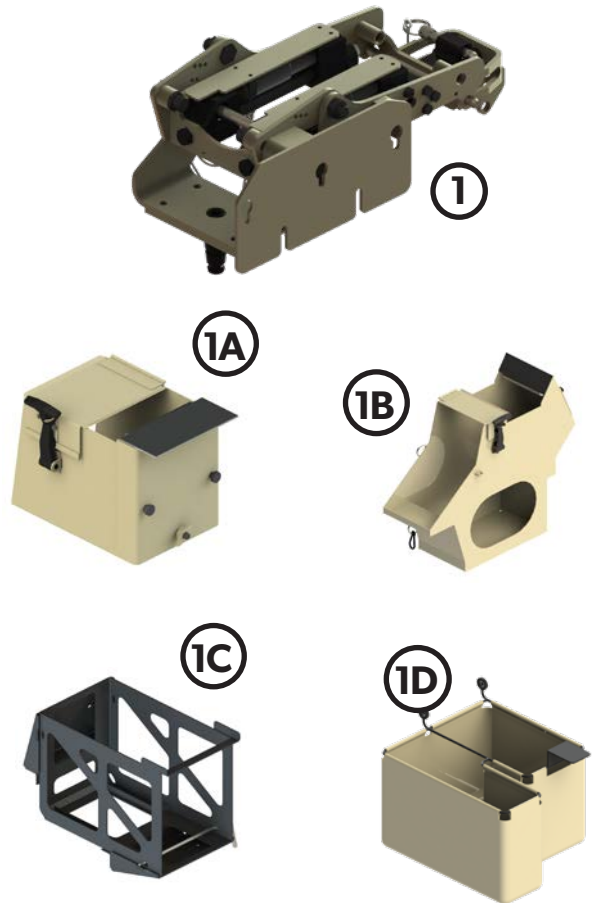
MG3



M60/MK43



MOUNTS



MOUNTS

M2/M2HB/M3 .50 Cal, MK19 MOD3

- | | |
|--|----------------------------------|
| 1. MK93 MOD2 Machine Gun Mount
M2 .50 Cal machine gun and MK19 40mm grenade launcher mount.
Base for MSG adapters for mounting various medium machine guns. | M36-001 |
| A. .50 Cal and 7.62 Ammunition Can Holder Steel Stainless Steel. M35-403
Holds one 100 rd .50 Cal can or one 200 rd 7.62 can | M36-403 |
| B. Multi-Caliber Ammunition Can Holder
Holds one 100 rd. .50 Cal can or one 200 rd 7.62 can
Holds one PA70 can with 225 rds .50 Cal | M35-413 |
| C. 40mm Ammunition Can Holder Stainless Steel
Holds one 32 rd 40mm can | M36-404
M35-404 |
| D. MK93 Catch Bag
Steel frame, fabric link and brass catch bag | PN6650723 |

M240/M249/MK48

- | | |
|--|---------------------|
| 1. MK93 MOD2 Machine Gun Mount
M2 .50 Cal machine gun and MK19 40mm grenade launcher mount.
Base for MSG adapters for mounting various medium machine guns. | M36-001 |
| 2. M249/M240 Adapter Kit for MK93
Installs into MK93 | M35-800 |
| OR | |
| 3. H24-6-MOD2
With inline ammo can holder and travel lock block for SA4 and SA10 | H24-6-MOD2 |
| 4. H24-6 OGPk
With ears for T&E attachment | K24-026-OGPK |
| 5. H24 OTM
With ears for T&E attachment | M24-029 |
| 6. H24-12 MOD2
With inline ammo can holder and travel lock block for SA12 and SA20 | M24-450 |
| 7. H24-6 LAV
For use with LAV. Has travel lock block for SA4 and SA10. | M24-095-LAVG |
| 8. H24-4 MK48 Mount
Also mounts M240/M249 | M24-101 |
| 9. H24 TWO Twin M240/M249 Mount
Mounts two weapons on the same system | M24-099 |

MG3

- | | |
|--|----------------|
| 1. MK93 MOD2 Machine Gun Mount
M2 .50 Cal machine gun and MK19 40mm grenade launcher mount.
Base for MSG adapters for mounting various medium machine guns. | M36-001 |
| 10. MG3 Adapter Kit for MK93
Installs into MK93 | M36-120 |

M60/MK43

- | | |
|--|----------------|
| 1. MK93 MOD2 Machine Gun Mount
M2 .50 Cal machine gun and MK19 40mm grenade launcher mount.
Base for MSG adapters for mounting various medium machine guns. | M36-001 |
| 11. M60 Adapter Kit for MK93
Installs into MK93 | M25-805 |
| OR | |
| 12. H60-6 Machine Gun Mount | M25-800 |



Engage with MSG to design and produce customized parts.

PKM



DShK

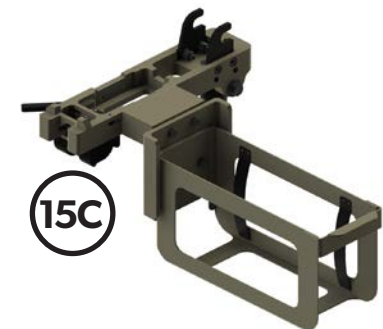
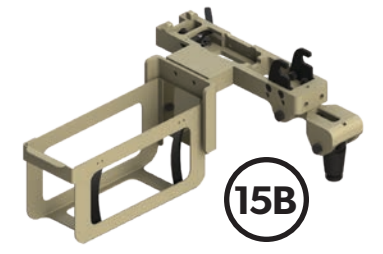
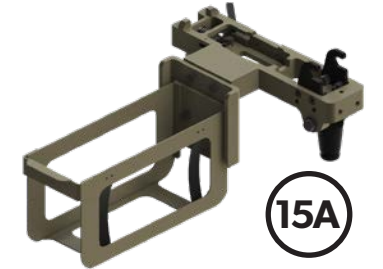
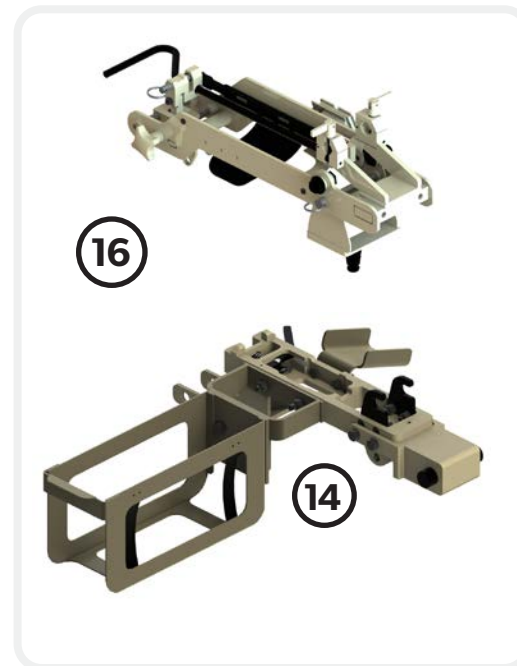
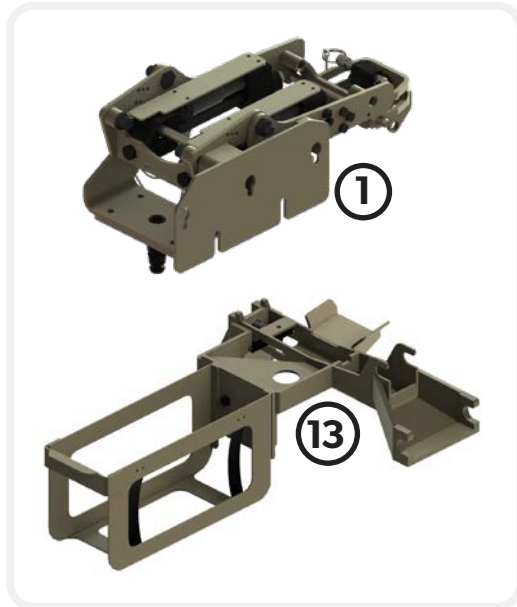


M134

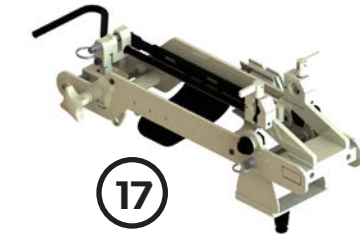


MOUNTS

MOUNTS



Requires SA7 Swing Arm Special Pintle



M134

See Turrets Pg 30

See Aviation Pg 16

NSV



PKM

- 1. MK93 MOD2 Machine Gun Mount** **M36-001**
M2 .50 Cal machine gun and MK19 40mm grenade launcher mount. Base for MSG adapters for mounting various medium machine guns.
- 13. PKM Adapter Kit for MK93** **M38-100**
Installs into MK93
- OR**
- 17. DShK Machine Gun Mount for NATO Pintle** **M37-104**
- 14. PKM Adapter Kit for DShK** **M38-240**
Installs into DShK Machine Gun Mount

- 15. PKM Mounts**
- A. PKM-12 for use with SA12/SA20 **M38-212**
- B. PKM-10 for use with SA10 **M38-210**
- C. PKM OTM for use with T&E **M38-211**
- 16. PKM-7** **M38-700**
For use with SA7

DShK

- 17. DShK Machine Gun Mount for NATO Pintle** **M37-104**
- 18. DShK Machine Gun Mount with Naval Pintle** **M37-105**
Made with non-corrosive materials

NSV

- 19. NSV Mount** **M36-350**
For 12.7mm NSV machine gun

M230LF/XM914

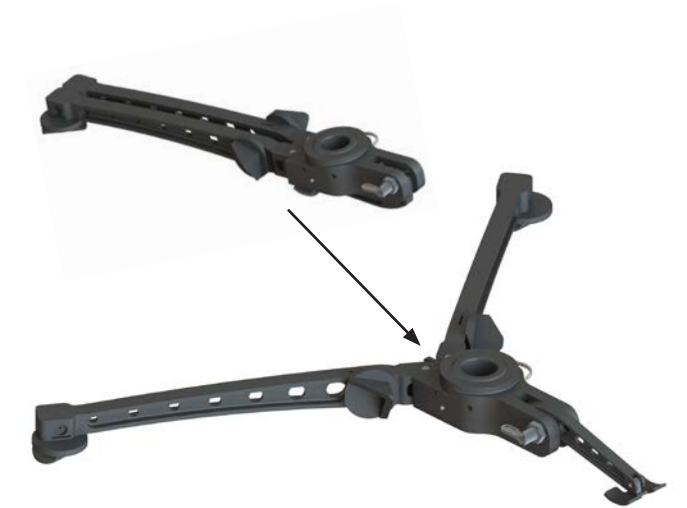
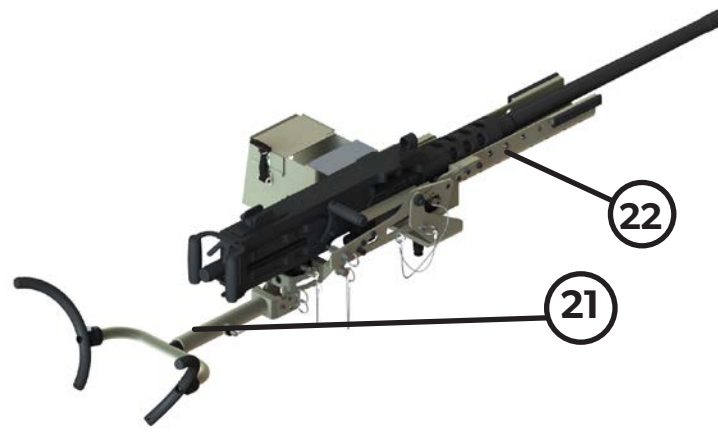
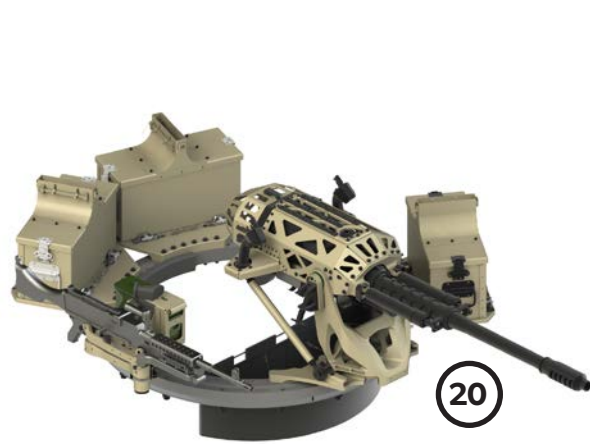


MK93 Accessories

Mount Directly to MK93

GROUND TRIPODS AND BARRETT SHOOTER REST

MOUNTS



M230LF/XM914 30mm Chain Gun

20. M230LF/XM914 Mounting System

M07-001

Each ammunition can holds 100 rounds of linked 30 x 113 mm ammunition

MK93 Accessories

21. MK93 Dual Shoulder Rest

M36-090

Provides significantly improved control and accuracy. Attaches to the MK93. Installation requires no tools.

22. MK93 Tri-Rail Light Bracket

M36-900

Three Picatinny rails for attaching optics. Does not interfere with quick change barrel.

Ground Tripods and Barrett Shooter Rests

23. Lightweight Tripod for Heavy Machine Guns

MK123

Heavy machine guns mount into the tripod. Accepts the MSG Barrett Shooter Rest.

24. Lightweight Tripod

TLW-100

For use with medium and light machine guns. Can be used for Barrett .50 Cal M82 or M107 rifles when using the MSG Barrett Shooter Rest.

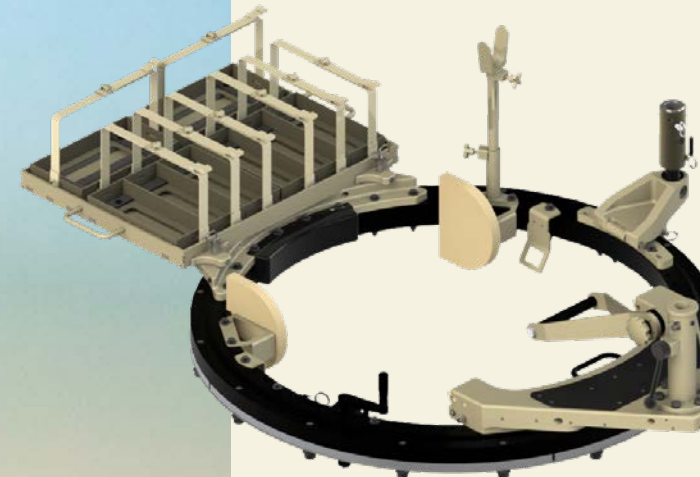


TURRETS & GUNNER PROTECTION KITS



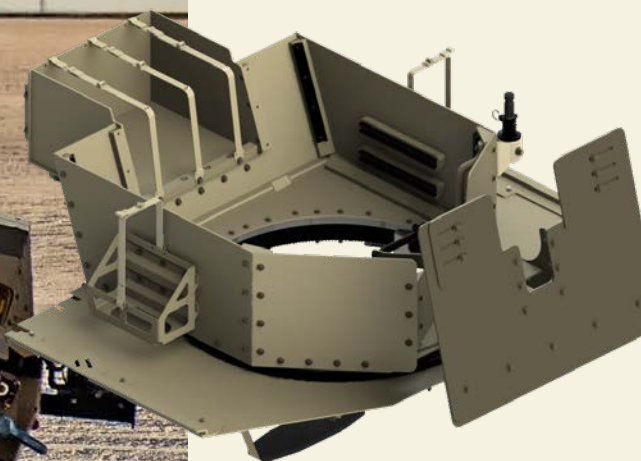
**Standard NATO 42"
Turret Series
and Accessories**

Page 28



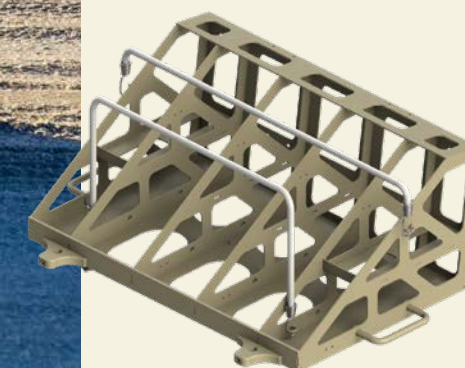
**Large Diameter 46"
Turret Series
and Accessories**

Page 30



**Gunner Protection
Kits (GPK)**

Page 32



Turret & GPK Accessories

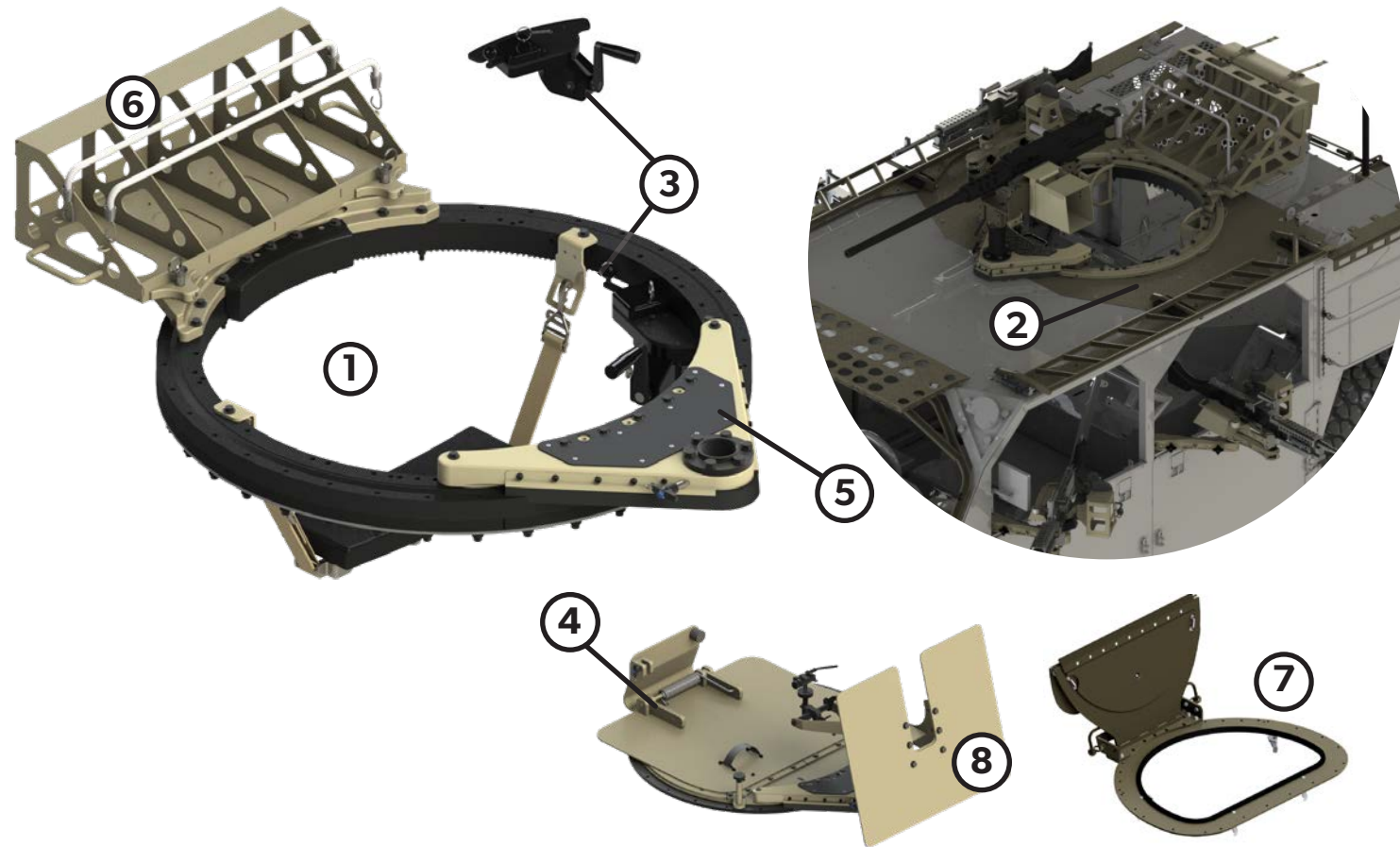
Page 34

STANDARD NATO TURRETS 42" SERIES

MSG Standard NATO 42" Series Turret Configuration. TUR1251

MSG Turrets can be configured to install on nearly any vehicle, carry nearly any weapon, and haul nearly any ammunition.

- 360 degree 42" Turret
- Holds 4 - 50 Cal Ammo Boxes (100 rounds each) (MG and Ammo Carrying options Pg 34)
- Fixed A-Frame
- Quick Release Sling Seat
- Manual Traversing Mechanism
- Also Pictured
- M2/MK19 Mounting system (MG mounting options Pg 18)
- Secondary Weapon Station



Standard NATO 42" Series Turrets

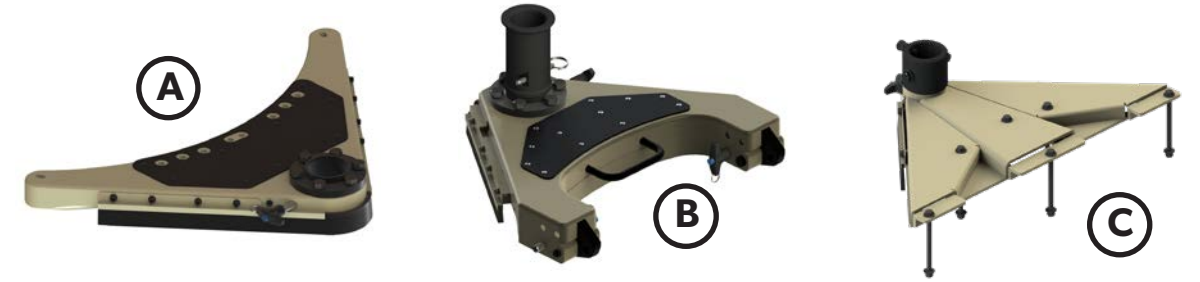
- 1. Turret Assembly** TUR1251
With Fixed A-Frame and 4-Bay ACH
- 2. MSG GMV 1.1 Turret Assembly** TUR2100
Folding A-Frame, Secondary Weapon Station, Armor Plate and 3 + 2 Bay ACH
- 3. Manual Traversing Mechanism** TUR2130
Geared for easy turning
- 4. 42" Turret Hatch** TUR1098
Watertight. Locks in the open position. Latches shut from the inside.

- 5. A-Frames**
- 6. Ammo Can Holders (ACH)**
- 7. 42" Folding Hatch**
- 8. Front Shield Options**

Next Page
Next Page
TUR2399
Page 22

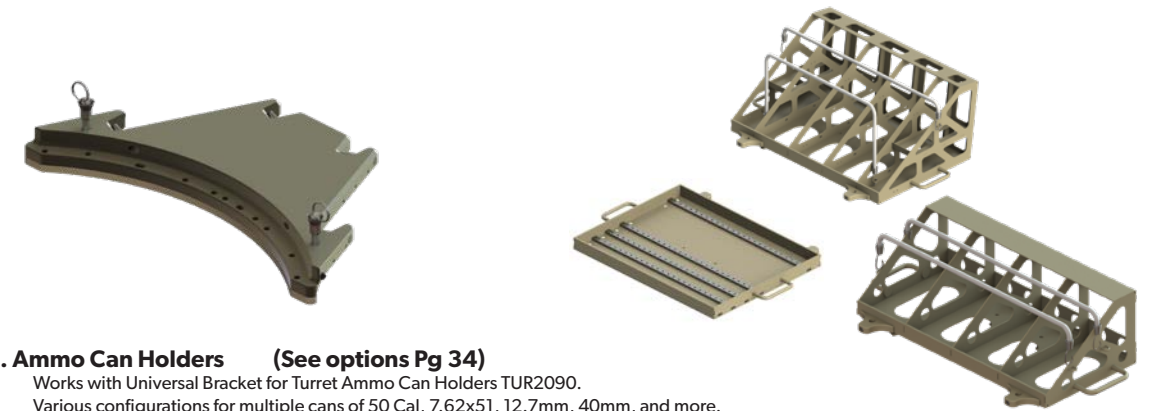
OPTIONS FOR STANDARD NATO TURRETS 42"

5 A-Frames



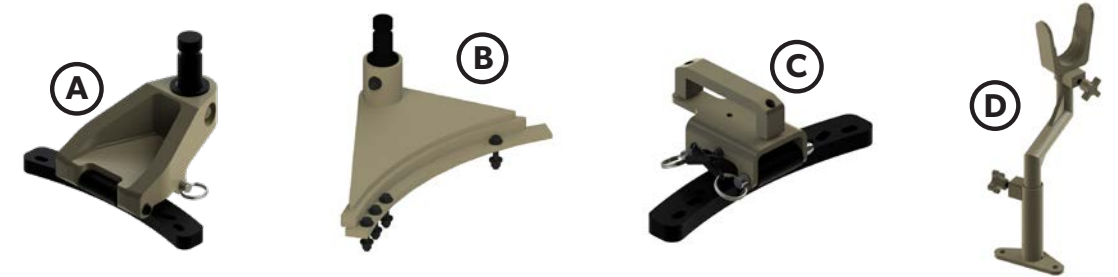
- 5. A-Frames**
A-Frames attach to the Bearing Ring and provide support for mounting weapon systems
- A. Low Profile A-Frame** TUR1012
- B. Folding A-Frame** TUR2101
- C. Legacy HMMWV A-Frames**
Low Profile A-Frame for M1113. M70-335 • Low Profile A-Frame for M1025. M70-540

6 Ammo Can Holders (ACH)



- 6. Ammo Can Holders (See options Pg 34)**
Works with Universal Bracket for Turret Ammo Can Holders TUR2090.
Various configurations for multiple cans of 50 Cal, 7.62x51, 12.7mm, 40mm, and more.

Secondary Weapon Accessories



- A. Folding Secondary Weapon Station** TUR2030
Attaches to the Bearing Ring. Mounts Swing Arms.
(See Swing Arm Options Pg 42)
- B. Fixed Secondary Weapons Station Pintle** M09-184
- C. M134 Feed Chute Clamp** TUR2029
- D. Secondary Weapon Station Rest** TUR2040
Used for weapon butt rest when Secondary Weapon Station is installed.

Bearing Sleeves and Mounts for A-Frames

- Bearing Sleeves and UPAs** (See Options Pg 20)
- Machine Gun Mounts** (See Options Pg 18)



TURRETS

TURRETS

TURRETS 46" SERIES

TURRETS 46" SERIES

Large Diameter Turrets 46" Series

MSG Turrets can be configured to install on nearly any vehicle, carry nearly any weapon, and haul nearly any ammunition.

360 degree 46" Turret

Holds 4 - 50 Cal Ammo Boxes (100 rounds each) (MG and Ammo Carrying options Pg 34)

Fixed A-Frame (Folding A-Frame Optional)

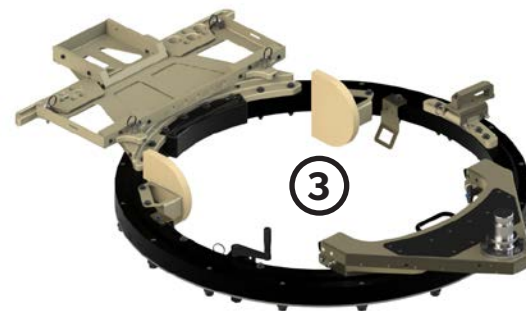
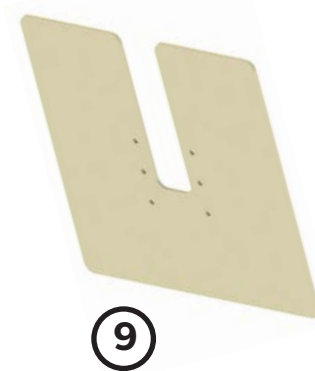
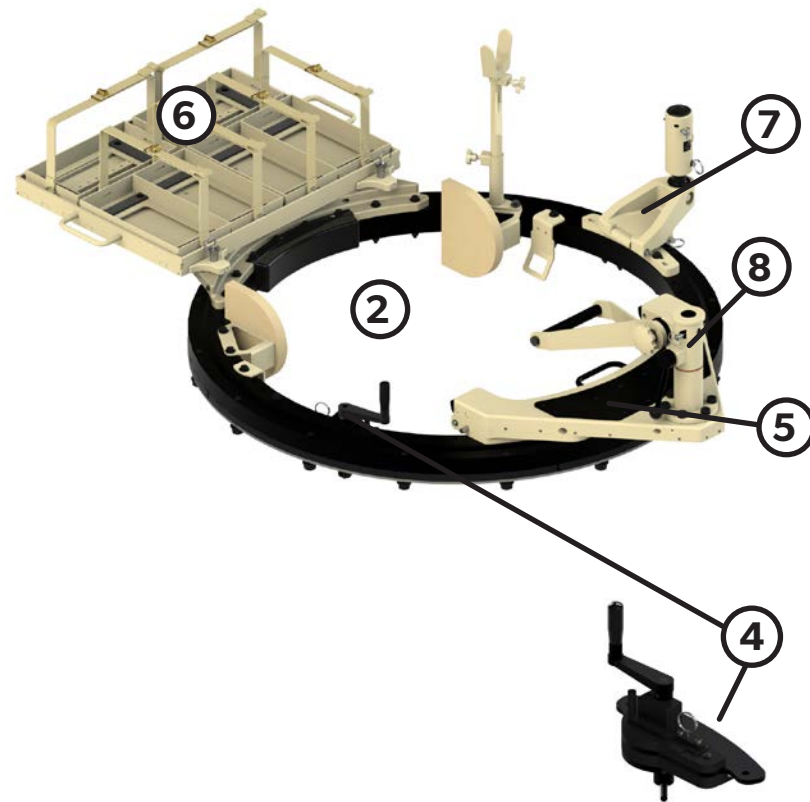
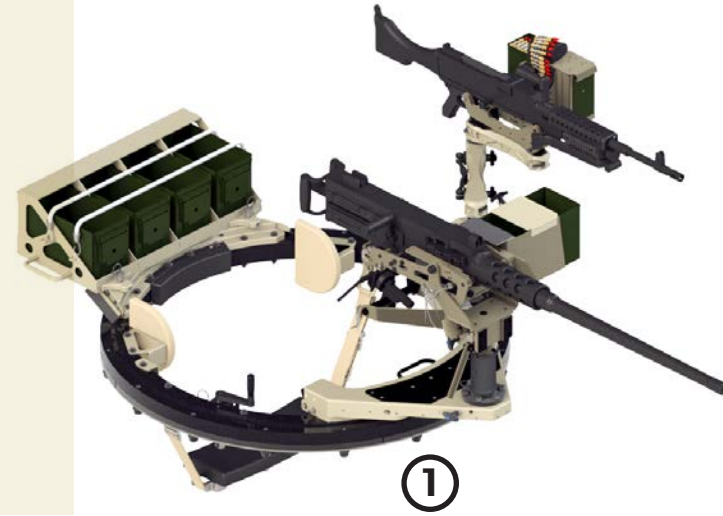
Secondary Weapon Station

Quick Release Sling Seat

Manual Traversing Mechanism

Also Pictured

M2/MK19 Mounting system (MG mounting options Pg 18)



MSG 46" Turret Configurations

- 1. Large Turret Assembly** TUR2000
360° traversing, 2,500 lb load capacity.
- 2. Large Turret Assembly; .50 Cal Configuration** TUR3000
Configurable tray ACH
- 3. Large Turret Assembly, M134 Configuration** TUR3003
With M134 pintle and M134 tray ACH. Holds 3,000 Rounds
- 4. Manual Traversing Mechanism** TUR2009
Geared for easy turning

- 5. A-Frames**
- 6. Ammo Can Holders (ACH)**
- 7. Secondary Weapon Accessories**
- 8. Integrated Bearing Sleeve Mount**
Combines standard bearing sleeve and UPA with Y-Arm
- 9. Front Shield Options (See Pg 38)**

Next Page
Next Page
Next Page
M70-630

5

A-Frames



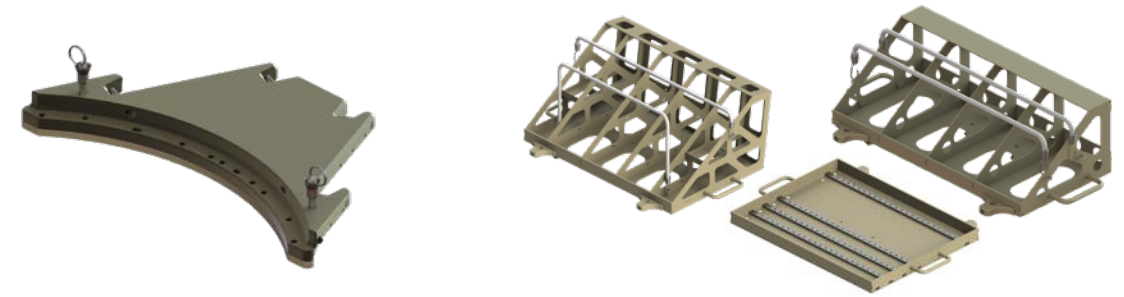
5. A-Frames

A-Frames attach to the Bearing Ring and provide support for mounting weapon systems

- A. Low Profile A-Frame** TUR1012
- B. Folding A-Frame** TUR2101

6

Ammo Can Holders (ACH)

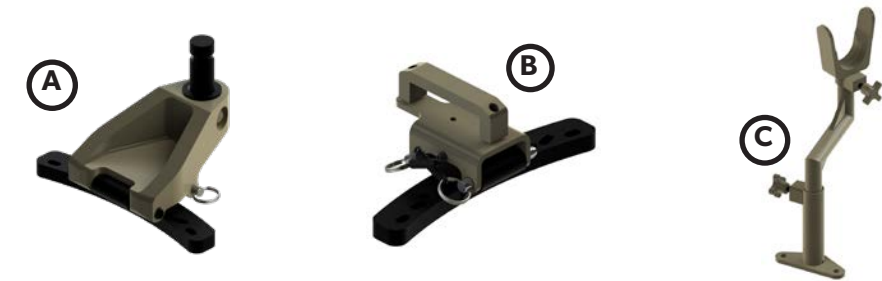


6. Ammo Can Holders (See options Pg 34)

Works with Universal Bracket for Turret Ammo Can Holders TUR2090. Various configurations for multiple cans of .50 Cal, 7.62x51, 12.7mm, 40mm, and more.

7

Secondary Weapon Accessories



- A. Folding Secondary Weapon Station** TUR2030
Attaches to the Bearing Ring. Mounts Swing Arms (See Swing Arm Options Pg 42)
- B. M134 Feed Chute Clamp** TUR2029
- C. Secondary Weapon Station Rest** TUR2040
Used for weapon butt rest when Secondary Weapon Station is installed.

8

Bearing Sleeves and Mounts for A-Frames

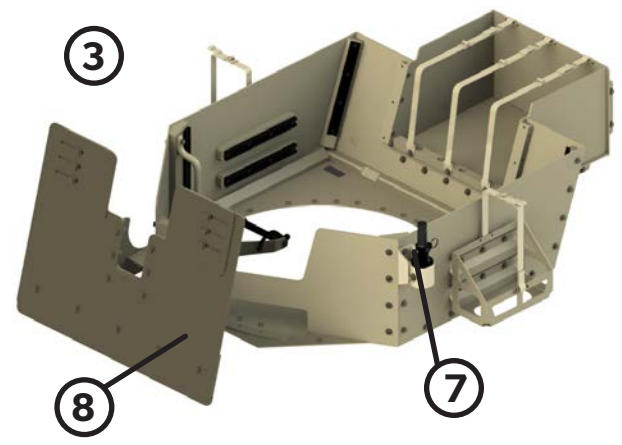
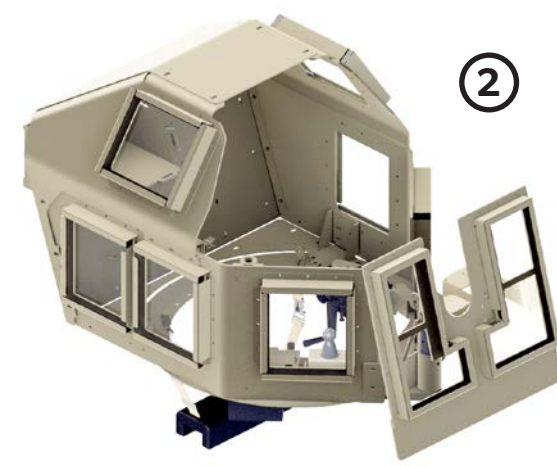
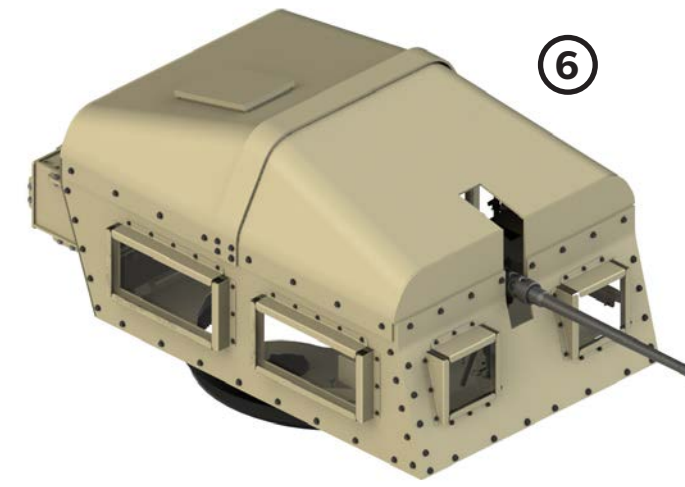
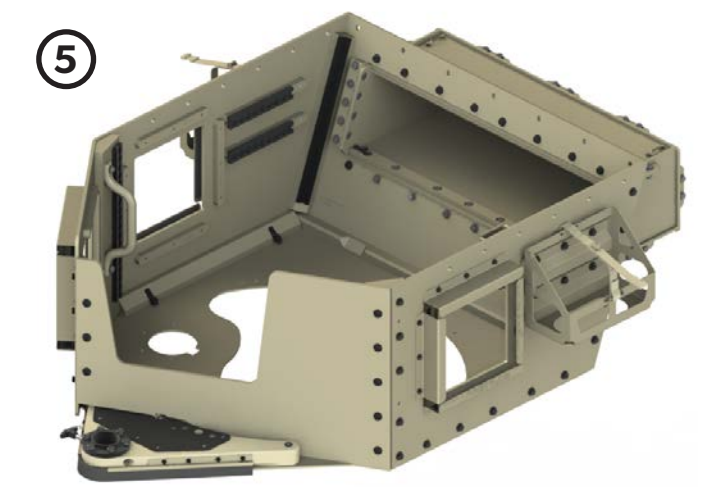
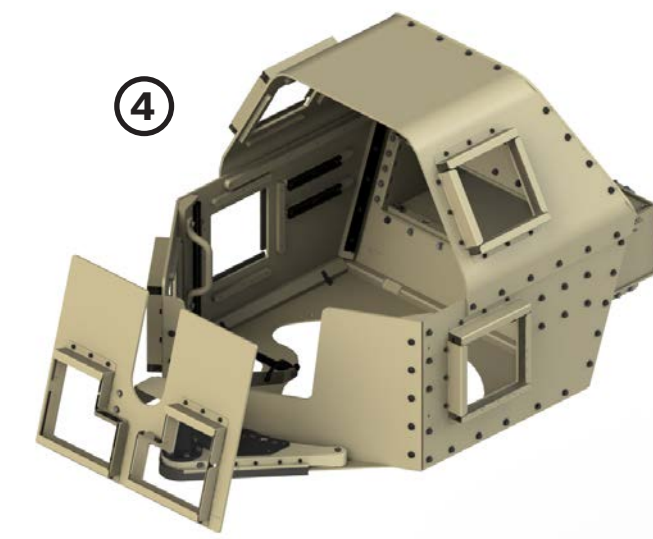
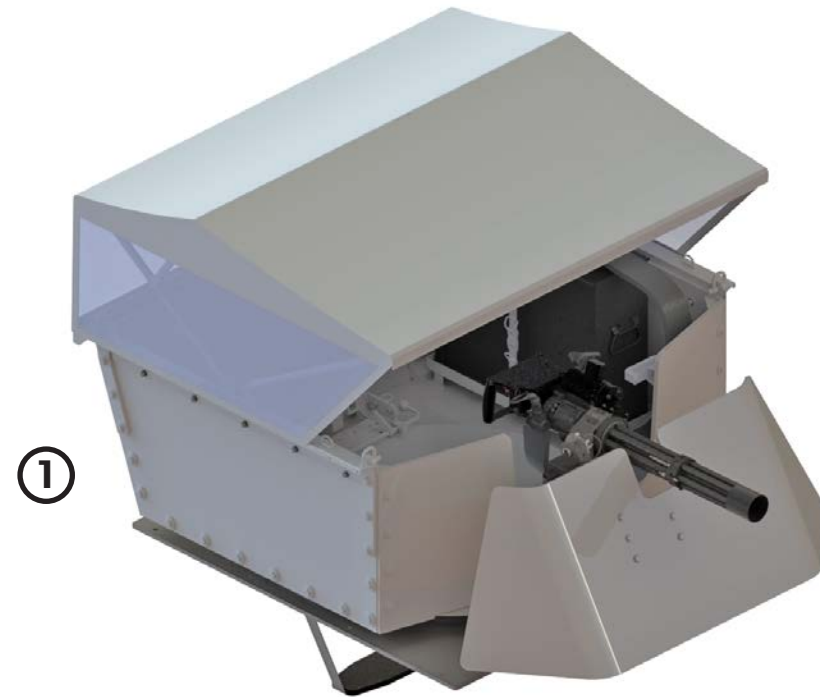
Bearing Sleeves and UPAs (See Options Pg 36)

Machine Gun Mounts (See Options Pg 18)

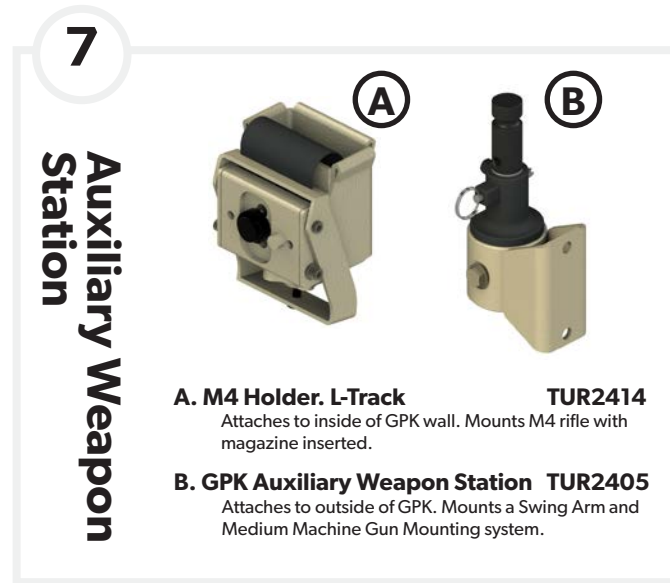
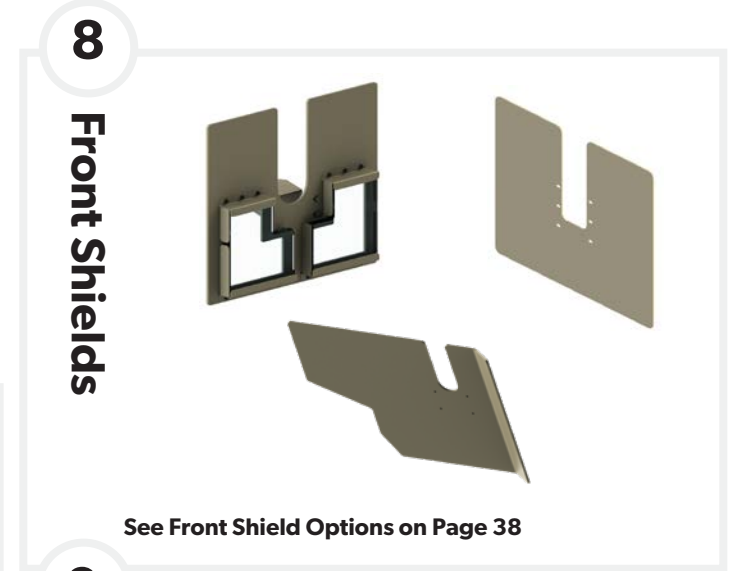


TURRETS

TURRETS



Engage with MSG to design and produce customized parts.



MSG Standard NATO 42" Turret Series GPK Configuration

- 1. Heavy System Gunner Protection Kit** **TUR2950**
Designed for fixed critical infrastructure security sites and for installation onto blast resistant enclosures. M134 mounting and ammunition handling system, and gunner environmental canopy assembly is standard.
- 2. Objective Gunner Protection Kit** **OGPK 2.0**
CCDC Designed. Overhead Protection
- 3. GMV 1.1 Gunner Protection Kit** **TUR2401**
MSG's USSOCOM Standard GPK. 16" high

- 4. Gunner Protection Kit with Overhead Protection** **TUR2700**
MSG OGPK. 21" side walls. Overhead protection
- 5. Gunner Protection Kit** **TUR2701**
MSG GPK. 21" side walls. Overhead protection
- 6. Fully Enclosed Gunner Protection Kit** **TUR2771**
- 7. Auxiliary Weapon Station** **Next Page**
- 8. Front Shields** **Next Page**
- 9. Bearing Sleeves and Mounts for A-Frames** **Next Page**

Auxiliary Weapon Station

Front Shields

9

Bearing Sleeves and Mounts for A-Frames

Bearing Sleeves and UPAs
(See Options Pg 36)
Machine Gun Mounts
(See Options Pg 18)

See Front Shield Options on Page 38

BEARING SLEEVES AND UPAS

Bearing Sleeve to Mount Components

A. Attachment Point to A-Frame

These Parts bolt into the A-Frame and accept Bearing Sleeves as the base for machine gun mounting systems.

B. Bearing Sleeves

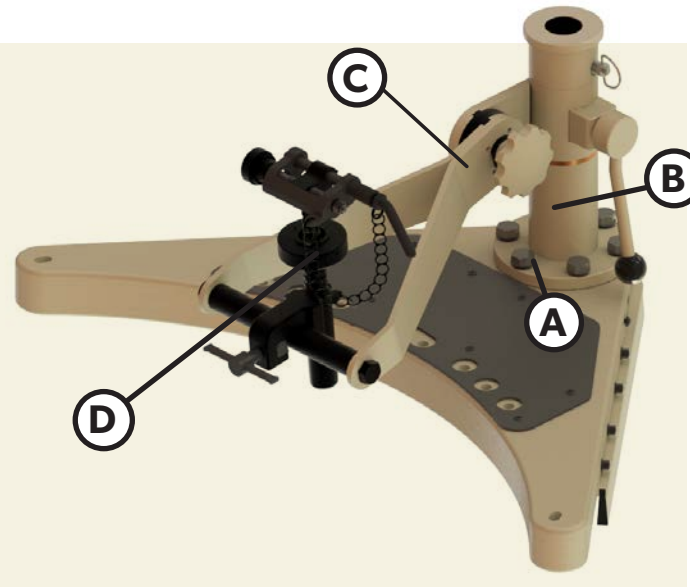
Bearing Sleeves and extensions are the interface between the A-Frame and UPA.

C. Universal Pintle Adapter (UPA)

The UPA installs into the bearing sleeve. The top accepts the gun mount pintle. Can include Y-Arms for attaching a T&E. Can include a bracket for attaching front-shield mounting brackets.

D. Traverse and Elevation Mechanism (T&E)

Controls left and right and up and down movement of the machine gun, facilitating precision fire on target. Attaches to UPA and MK93 or OTM mount.



A

Attachment Point



Bearing Sleeves and M134 Pintles

- | | |
|--|----------------|
| 1. A-Frame Socket
Bolts into A-Frame. Accepts all Bearing Sleeves | TUR1013 |
| 2. M134 Pintle A-Frame Flanged
Bolts into A-Frame. Accepts M134 vertical arm | M70-628 |
| 3. M134 Pintle A-Frame Socket
Pins into A-Frame socket. Accepts M134 vertical arm | M70-629 |
| 4. Bearing Sleeve Assembly for Folding A-Frame
Pins into A-Frame socket. Accepts UPA | TUR1077 |
| 5. Standard Bearing Sleeve
Pins into A-Frame socket. Accepts UPA | M70-299 |
| 6. Bearing Sleeve Extension
Pins into A-Frame socket. Accepts Bearing Sleeve | M70-307 |
| 7. Short Bearing Sleeve
Pins into A-Frame socket. Accepts UPA | M70-617 |

B

Bearing Sleeves



C

Universal Pintle Adapters (UPA)



D

Traverse and Elevation Mechanism (T&E)



ABC

Integrated Bearing Sleeve

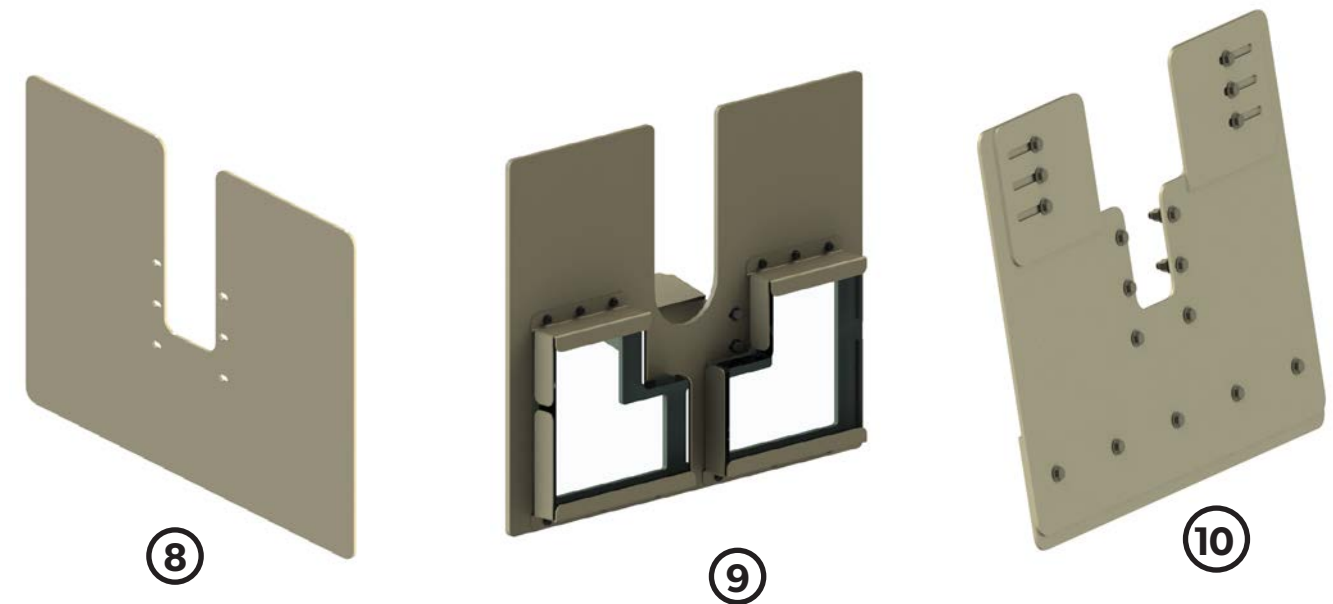
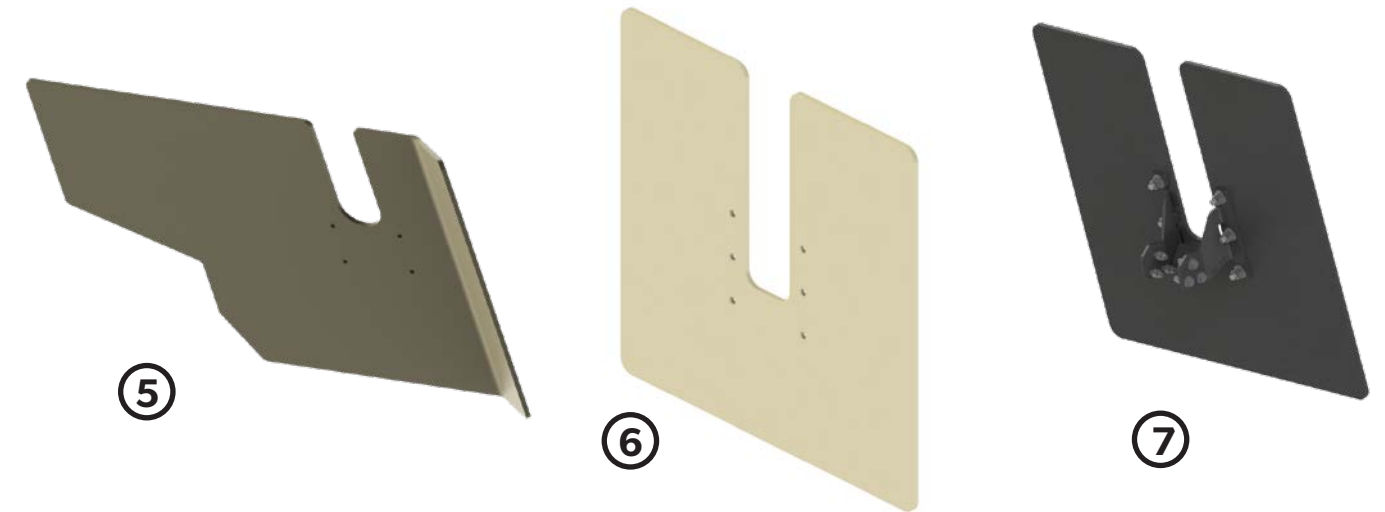
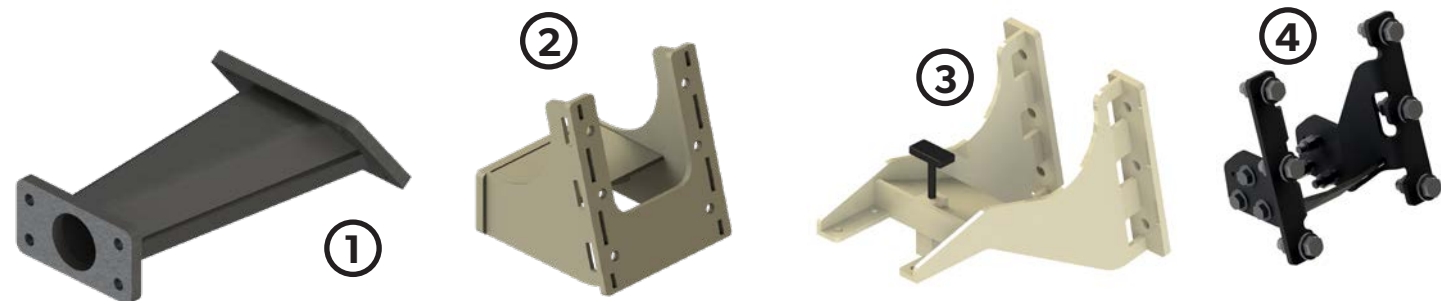
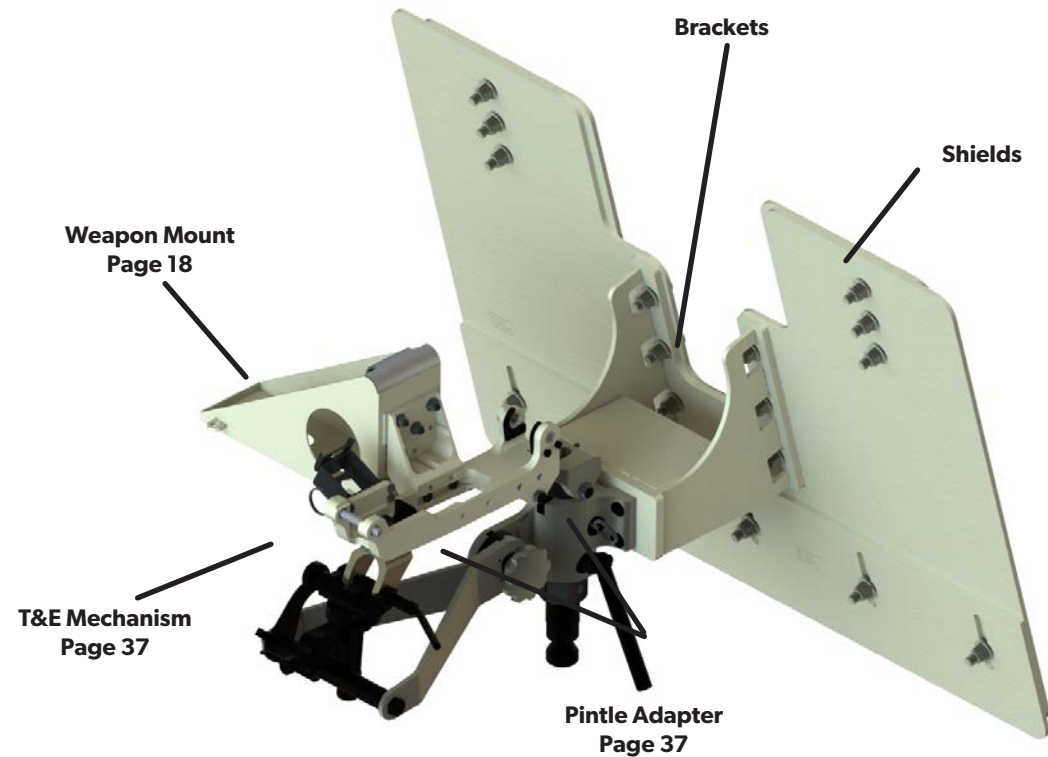


Universal Pintle Adapters and T&Es

- | | | | |
|---|-------------------|--|----------------|
| 8. UPA Adjustable Arm Assembly
Y-Arm for attaching T&E to the UPA | K98-010 | 12. USG Traverse and Elevation Mechanism (T&E)
Controls left and right and up and down movement of the machine gun, facilitating precision fire on target. Attaches to UPA and MK93. | 7791119 |
| 9. USG UPA without Y-Arm | PN12012062 | 13. MSG Traverse and Elevation Mechanism (T&E)
Controls left and right and up and down movement of the machine gun, facilitating precision fire on target. Attaches to UPA and MK93. | M98-012 |
| 10. UPA Forged Body
Includes Y-Arm and bracket for front-shield mounting brackets | M98-200 | 14. Integrated Bearing Sleeve and UPA
Combines all parts from attaching to A-Frame to accepting machine gun mount pintle | M70-630 |
| 11. UPA
Includes Y-Arm | M98-011 | | |

FRONT SHIELD BRACKETS

FRONT SHIELDS



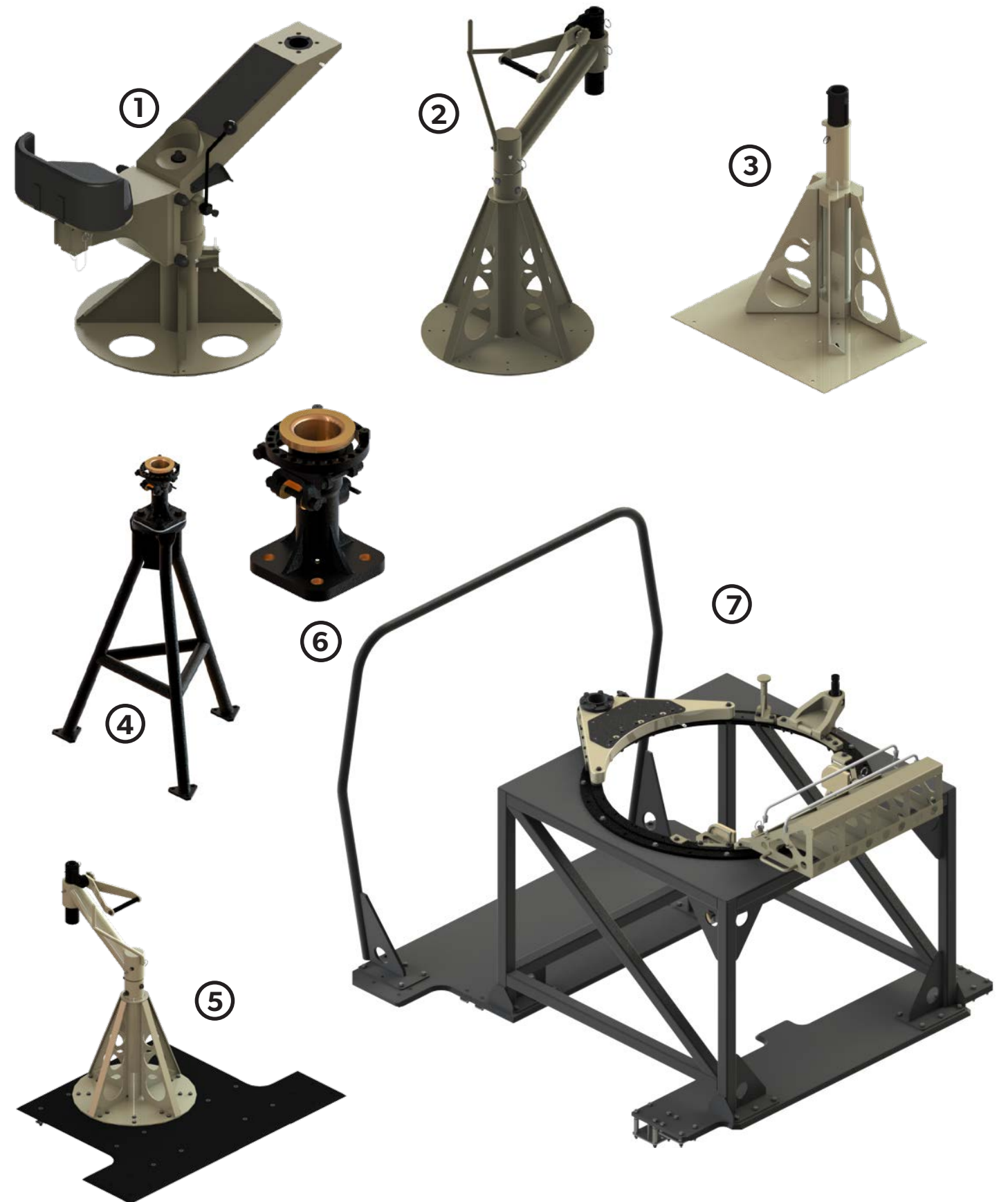
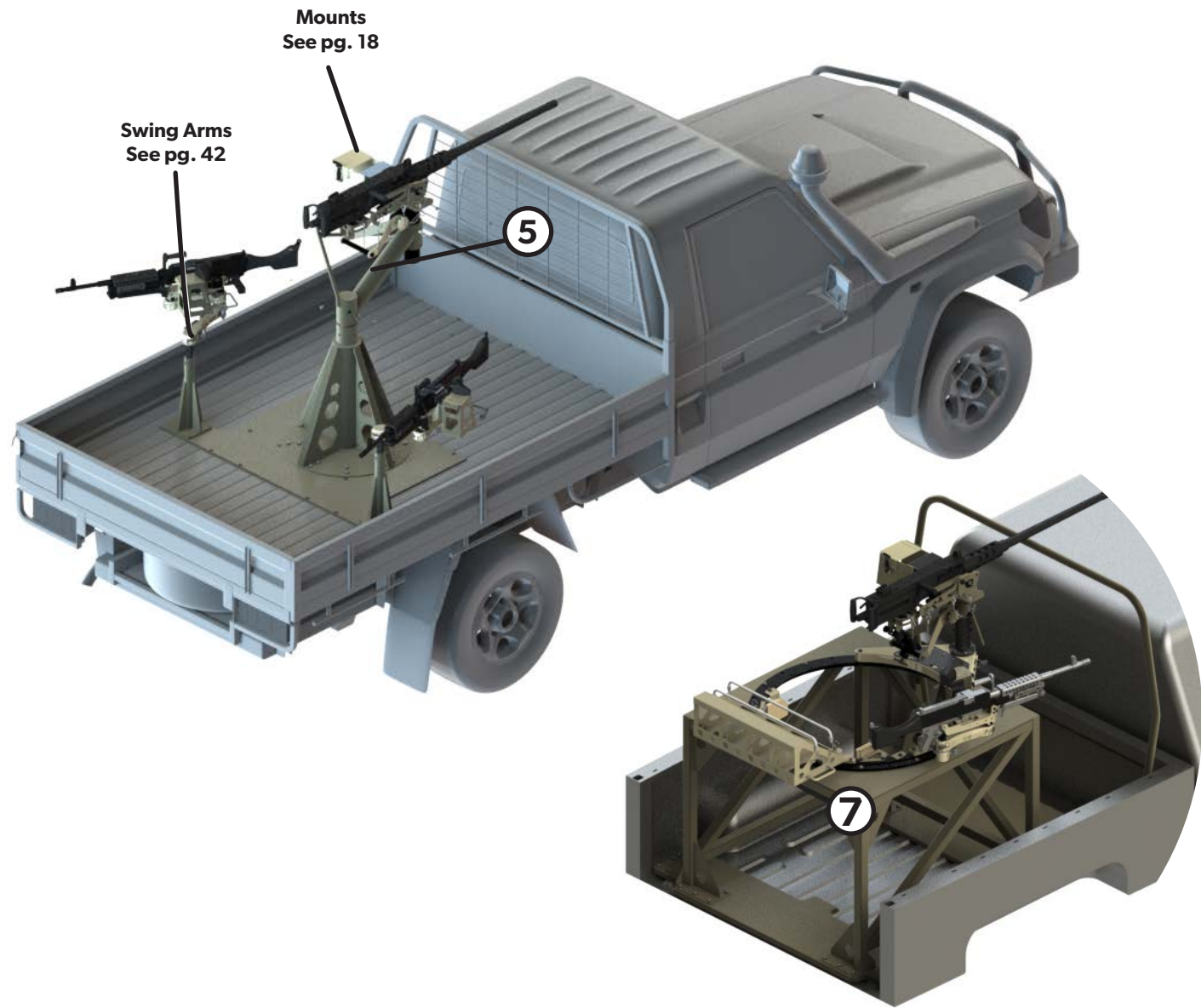
Front Shields and Brackets

- 1. Long Armor Shield Bracket Four Hole** **M98-056**
Four-hole mounting plate for Shield. Extends shield approximately 13 inches from UPA bracket.
- 2. Armor Shield Bracket Six Hole** **M35-911**
Six-hole mounting plate for Shield. Extends shield approximately 8 inches from UPA bracket.
- 3. Front Shield Bracket for MK93** **M35-310**
Six-hole mounting plate for Shield. Mounts to MK93.
- 4. Mounting Bracket only for -9 Mounts** **M98-110-01**
Six-hole mounting plate for Shield. Mounts to MK93.
- 5. TACOM Front Shield** **M98-061**
40" X 25". 3/8" thick
- 6. Front Armor Shield** **M98-002**
27" X 27". 3/8" thick armor

- 7. Front Armor Shield Assembly H24/H60** **M98-110**
Includes Shield M98-002 and Mounting Bracket
- 8. Front Armor Shield** **TUR1110-01**
32" X 26". .25" thick armor
- 9. Front Armor Shield OGPK** **TUR1702**
32" X 25". 3/8" thick armor. Glass 2 ea. 12" x 12"
- 10. Front Armor Shield GMV 1.1** **TUR2211**
36" X 28". .25" thick armor. Adjustable belly and side wings.
- 11. Front Armor Shield OGPK 2** **F5OGPK2**
33" X 30". 3/8" thick armor. Glass 2 ea. 13.5" x 22.5"
- 12. Front Armor Shield Assembly for MK93** **M35-021**
Shield is M98-002. 27" X 27". 3/8" thick

SHIELDS

SHIELDS



Pedestals & Associated Items

- 1. Pedestal Offset Pintle (POP) M14-001**
Seated Gun Mount for Light and Heavy Machine Guns. Turns 360°. Installs between wheels in cargo bed of nearly any vehicle including boats. Made from stainless steel base for maritime use, otherwise made from carbon steel. Options include low or high seat back and standard or tall base.
- 2. Adjustable-Height Offset Pedestal M03-225**
Pedestal Gun Mount for Light and Heavy Machine Guns. Turns 360°. UPA can be adjusted to different heights. Installs between wheels in cargo bed of nearly any vehicle including boats.
- 3. Adjustable-Height Pedestal M03-350**
Pedestal Gun Mount for Light and Heavy Machine Guns. Turns 180°. Can be adjusted to different heights. Installs behind cab in cargo bed of nearly any vehicle including boats.
- 4. MK16 MOD9 Tripod Assembly M03-600**
Pedestal Gun Mount for Light and Heavy Machine Guns. Turns 360°. Installs in cargo bed of nearly any vehicle including boats.

- 5. Tactical Weapon Mounting Station Pedestal Bed Assembly M03-224**
Pedestal Gun Mount for Light and Heavy Machine Guns. Turns 360°. UPA can be adjusted to different heights. Installs in cargo bed of nearly any vehicle including boats. Accommodates Swing Arm Mounting Pintles.
- 6. MK16 MOD8 Tripod Assembly M03-602**
Mounts Heavy Machine Guns. Adjustable train stops to limit fields-of-fire.
- 7. MSG 42" Series Turret and Stand for Bed of non-Standard Vehicle TUR4008**
The 42" Series Turret mounts into the frame and secures into baseplates in the bed of a non-standard vehicle. Includes a scarf rail to prevent the gunner from shooting the cab of the vehicle.

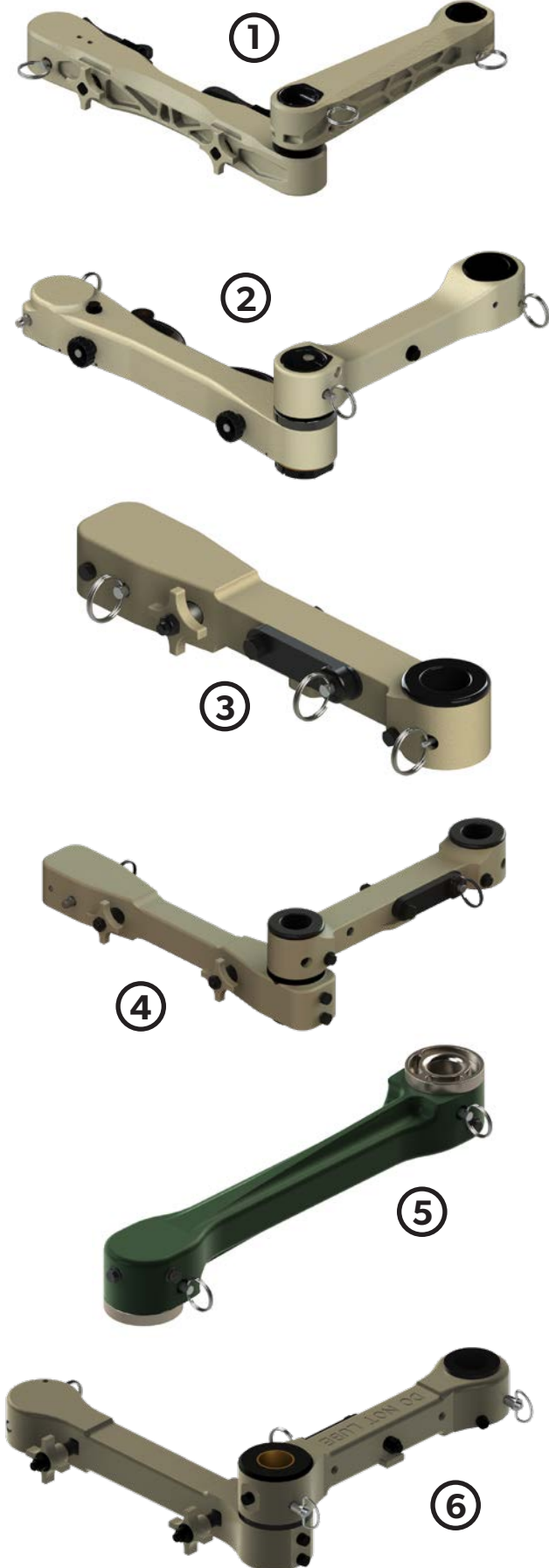
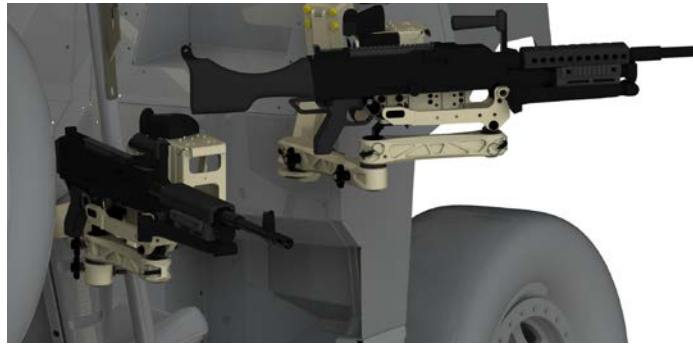
Engage with MSG to design and produce customized parts.

PEDESTALS

PEDESTALS

SWING ARMS

SWING ARM MOUNTING BRACKETS AND PINTLES



Swing Arms

- 1. SA20 Swing Arm** **SA20-001**
 The SA20 incorporates MSG's latest innovations and improvements for extended durability and easier operation.
 - A. Compatible with all existing MSG swing arm mounting brackets
 - B. New large cam levers make it easier to engage and disengage tension even while wearing gloves
 - C. Can be completely disassembled/assembled with only a multi-tool
- 2. SA12 Swing Arm** **SA12-013**
 The SA12 Swing is 15% lighter than the SA10 and provides smoother movement
- 3. SA11 Swing Arm** **SA11-001**
 The SA11 Swing Arm can accommodate weapons up to 7.62mm and is intended for applications where a double arm is not needed. For use with H24-6, PKM-6, and H60-6 Machine Gun Mounts.
- 4. SA10 Swing Arm** **SA10-01**
 The SA10 Swing Arm is a double-articulating arm that incorporates a travel lock, friction locks, and quick release pins. This combat-proven design supports light and medium Machine Guns and Mounts for vehicles, pedestals, and guard towers. It is used in conjunction with the H24-6 gun Mount.
- 5. SA7 Swing Arm** **M11-001**
 The SA7 Swing Arm has a heavy-duty design, capable of carrying the additional weight of an armor shield. For use with H24-7 and PKM-7 Machine Gun Mounts.
- 6. SA4 Swing Arm** **M10-001**
 SA4 LAV Configuration LAV M10-001LAV



Swing Arm Mounting Brackets

1. Adjustable-Height Pintle Adapter	M10-600
2. Flat-Base Mounting Bracket	M09-191
3. Adjustable-Height Flat Base Mounting Bracket	M03-702
4. Flat Base Socket Stand	M04-036
5. Example Vehicle Pillar Swing Arm Mounting Bracket	RZR-1040
(See Vehicle Pages for Options. Pg 44)	
6. Aft Tubes	14" M09-218
Attach to nearly any vertical surface	16" M09-029

7. 17" Pintle Posts	
A. Standard	M09-052
B. For SA7	M11-401
C. With Washer	M09-196
8. 19" Pintle Post	M09-028
9. 28" Pintle Post	M09-195
10. 32" Pintle Post	M09-051

SWING ARMS

SWING ARMS



VEHICLE WEAPON MOUNTING SYSTEMS

VEHICLE WEAPON MOUNTING SYSTEMS



GMV 1.1
Page 46



MRZR
Page 50



LC79
Page 51



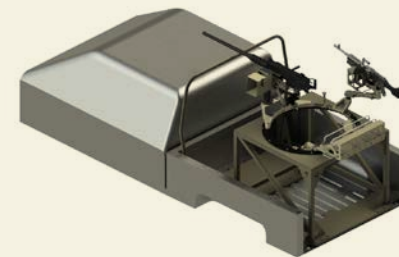
SXV
Page 52



HMMWV
Page 54



DAGOR
Page 58



TRUCK UNIVERSAL
Page 59



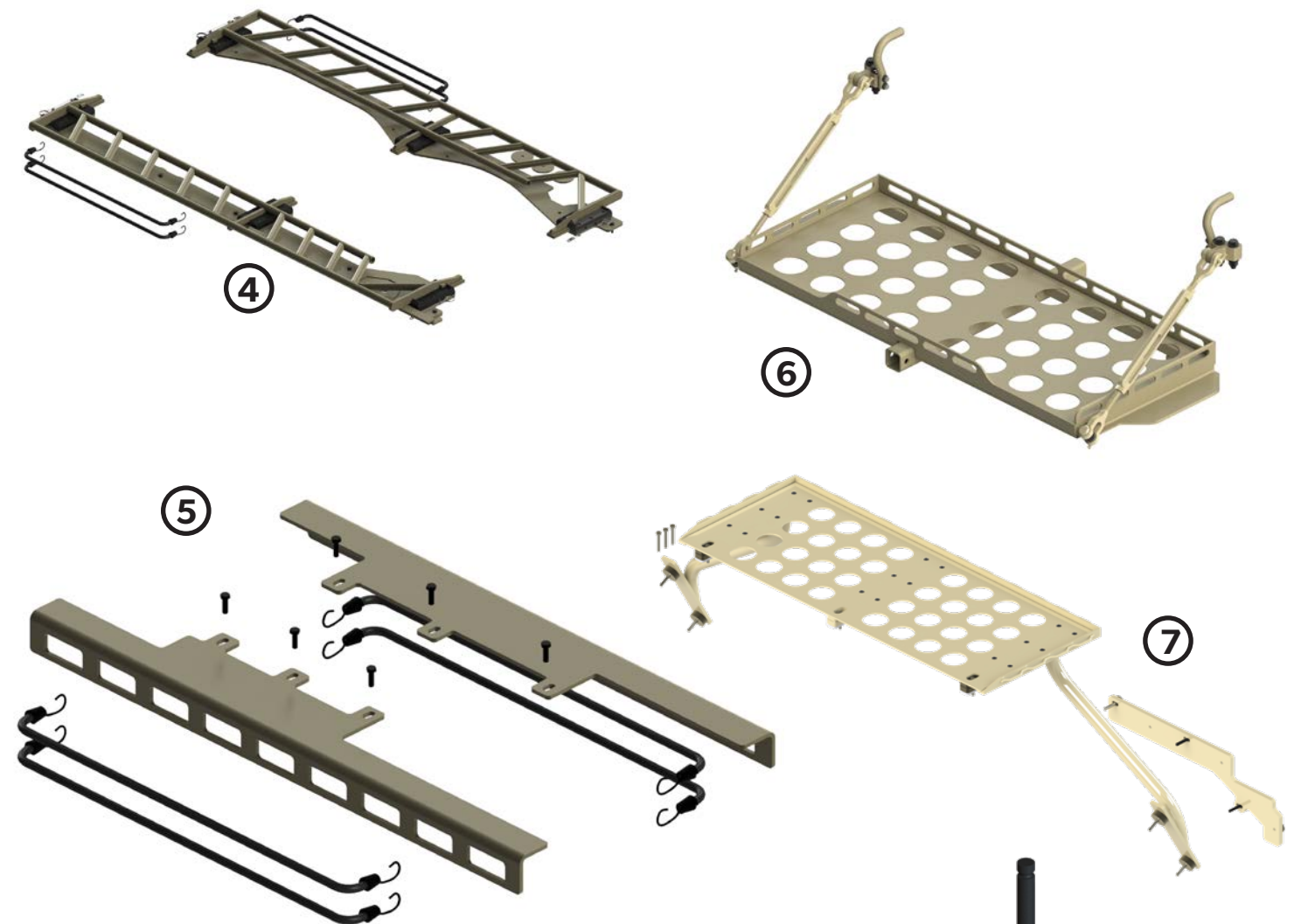
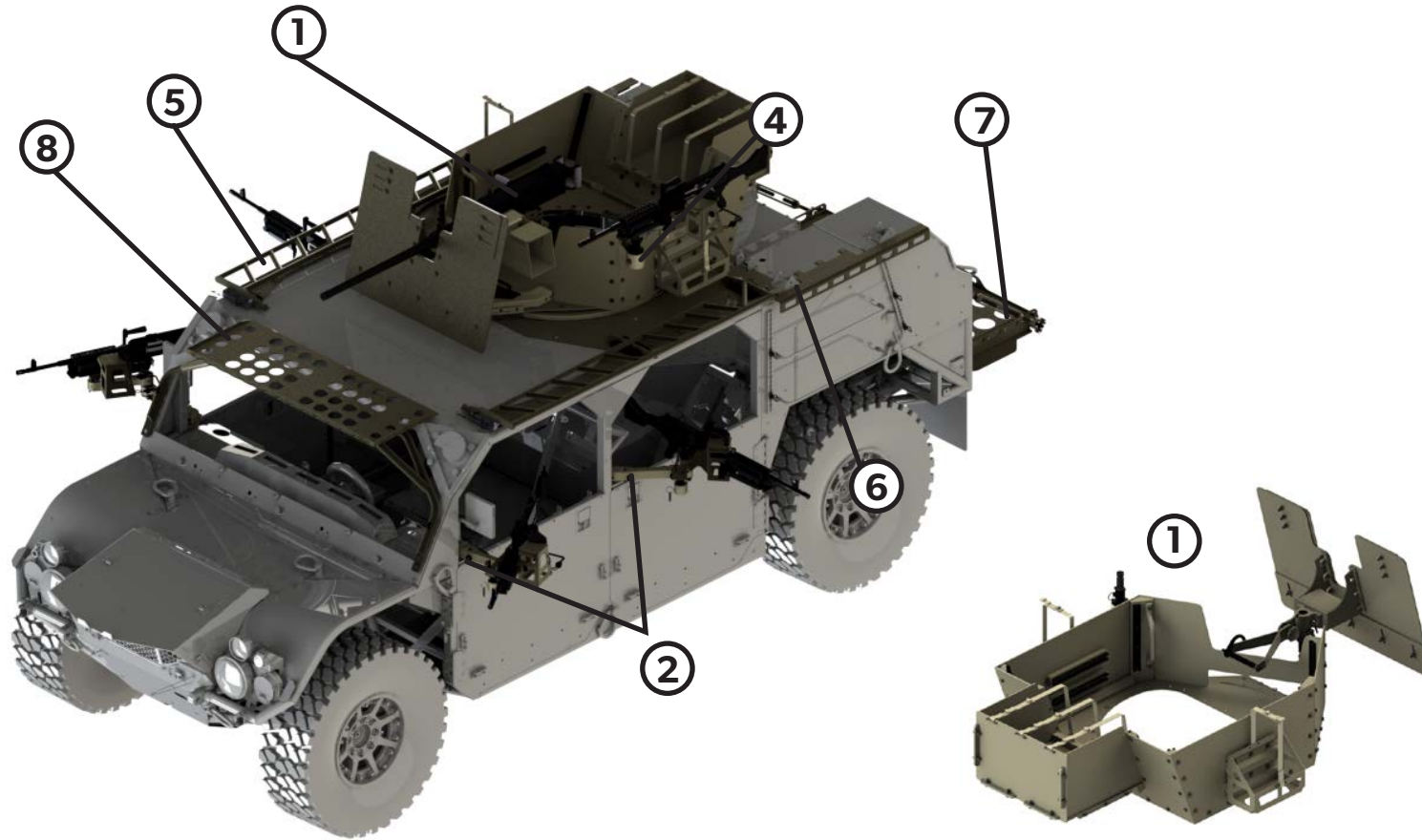
HIMARS and M270
Page 59



TOMCAR & HAVOC
Page 60



RANGER FIRE SUPPORT SYSTEM
Page 61



BUILD YOUR MOUNT

GMV 1.1 Mounting Bracket Swing Arm Pintles

+

SA20 Swing Arms
See Options Pg 42

+

H24-12 MG Mount
See Options Pg 18

GMV 1.1

1. MSG Standard GMV 1.1 Turret Configuration TUR2401

- 360 degree 42" Turret (Turret Options Pg 28)
- Back Holds (3) 50 Cal cans (100 rounds each) (MG and Ammo Carrying options Pg 34)
- Side ammo can holders 200 rds 7.62x51
- 16-inch high armored walls
- Front Shield (Front Shield Options Pg 38)
- Secondary weapon station
- Manual Traversing Mechanism. (Powered Traversing Mechanism Option)
- M2/MK19 Mounting system (MG mounting options Pg 18)

TUR2100

2. Door Mounted Swing Arm bracket FLY-145

3. GPK Auxiliary Weapon Station TUR2405

4. Grab Rails for Thermal Mitigating Net Storage

Left side alone
Right side alone
Hand hold for operators positioned on the running boards. Slides out to store Thermal Mitigating Net systems. Must use Vertical ACH TUR2365.

FLY-300
FLY-301
FLY-302

5. Ruck Hanger Kit

Left side
Right side
Places to clip and hold 3 ruck sacks each

FLY-320
FLY-321

6. Bed Extender

Extends useable space by 23" x 54". Load capacity 800 lbs. Holds spare tire, water, ammo, fuel etc. Must remove tailgate. Receiver hitch still available.

FLY-350

7. Roof Rack

Extends useable space by 16" x 48". Load capacity of 400 lbs.

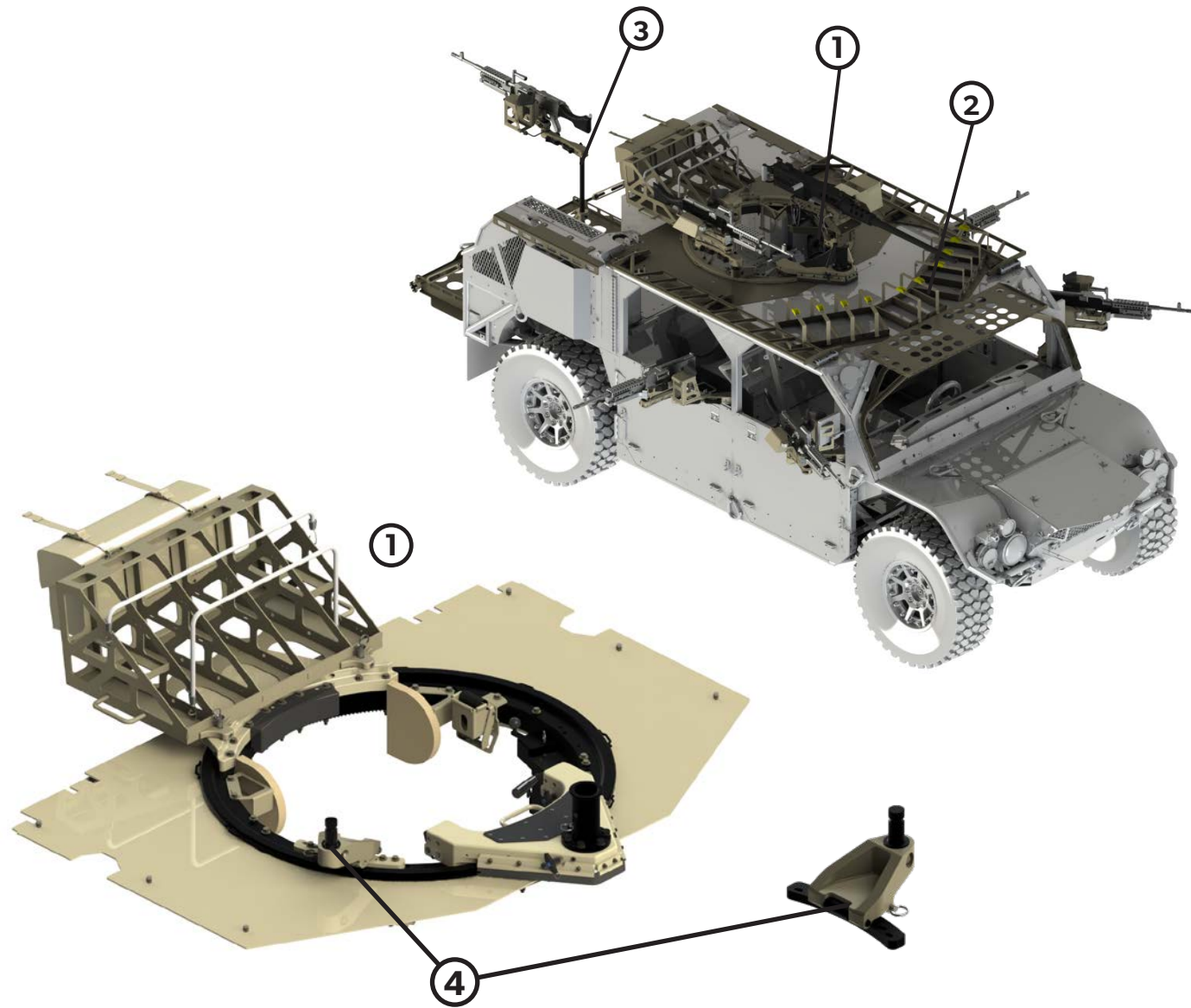
FLY-370

8. Pintle Assembly Spare Tire Carrier

FLY-120

Engage with MSG to design and produce customized parts.

GMV 1.1 (WITH TURRET)



GMV 1.1 with Turret

1. MSG GMV 1.1 42" Turret Configuration.

TUR2100

- 360 degree 42" Turret (Turret Options Pg 26)
- Armored Deck plate
- Turret Ammo Can Holder holds (3) 50 Cal cans (100 rounds each) and (2) 7.62x51 (200 rounds each) (MG and Ammo Carrying options Pg 34)
- Secondary weapon station
- Manual Traversing Mechanism. (Powered Traversing Mechanism Option)
- Front Shield Optional (Front Shield Options Pg 38)
- M2/MK19 Mounting system (MG mounting options Pg 18)

2. Roof Mounted 10-bay .50 Cal Ammunition Can Holder

Holds 10 cans of 100 rounds each .50 Cal ammunition

FLY-200

3. Aft Tubes

Attach to nearly any vertical surface. (Pintle Options Pg 36)

14" M09-218

16" M09-029

4. Folding Secondary Weapon Station

TUR2030

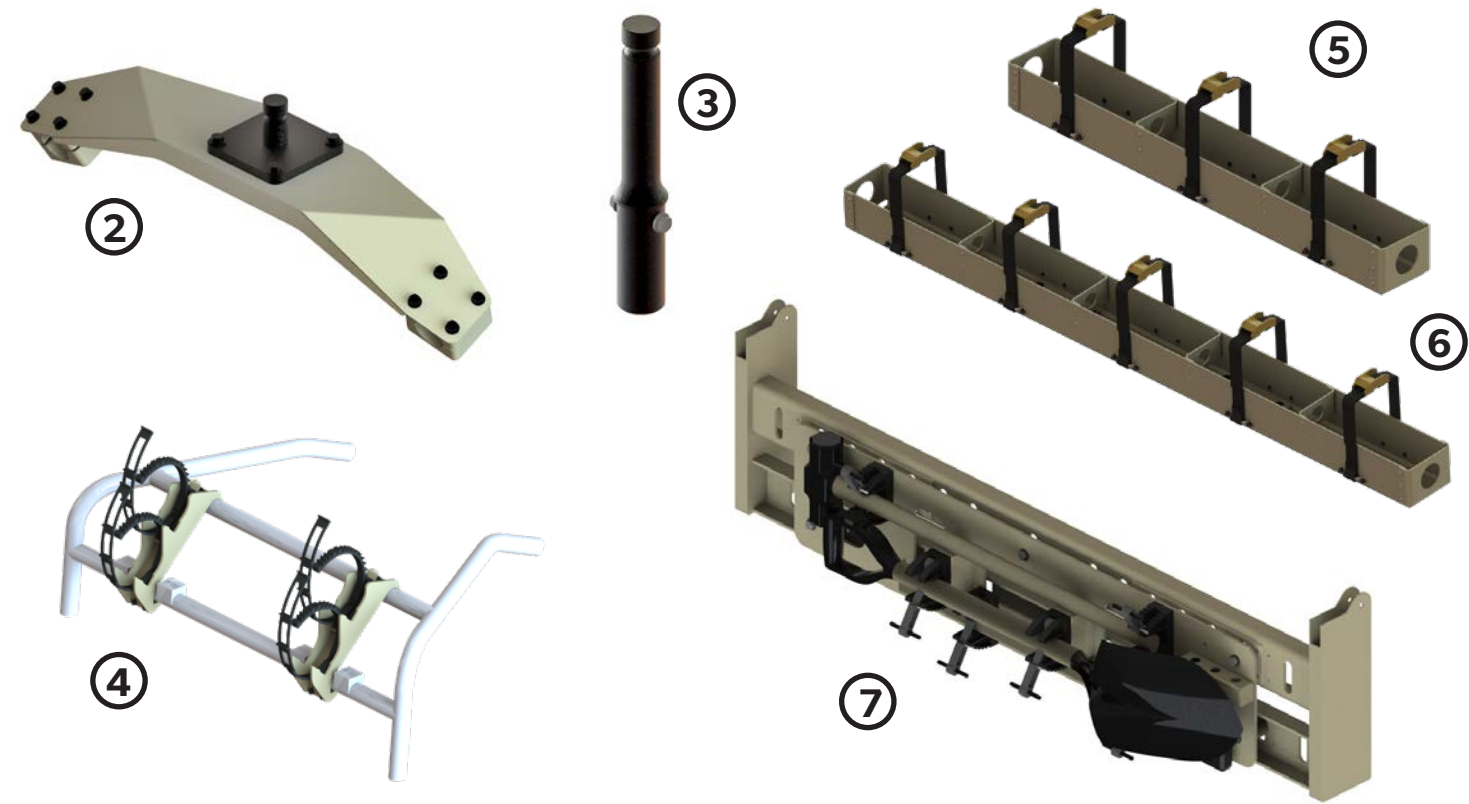
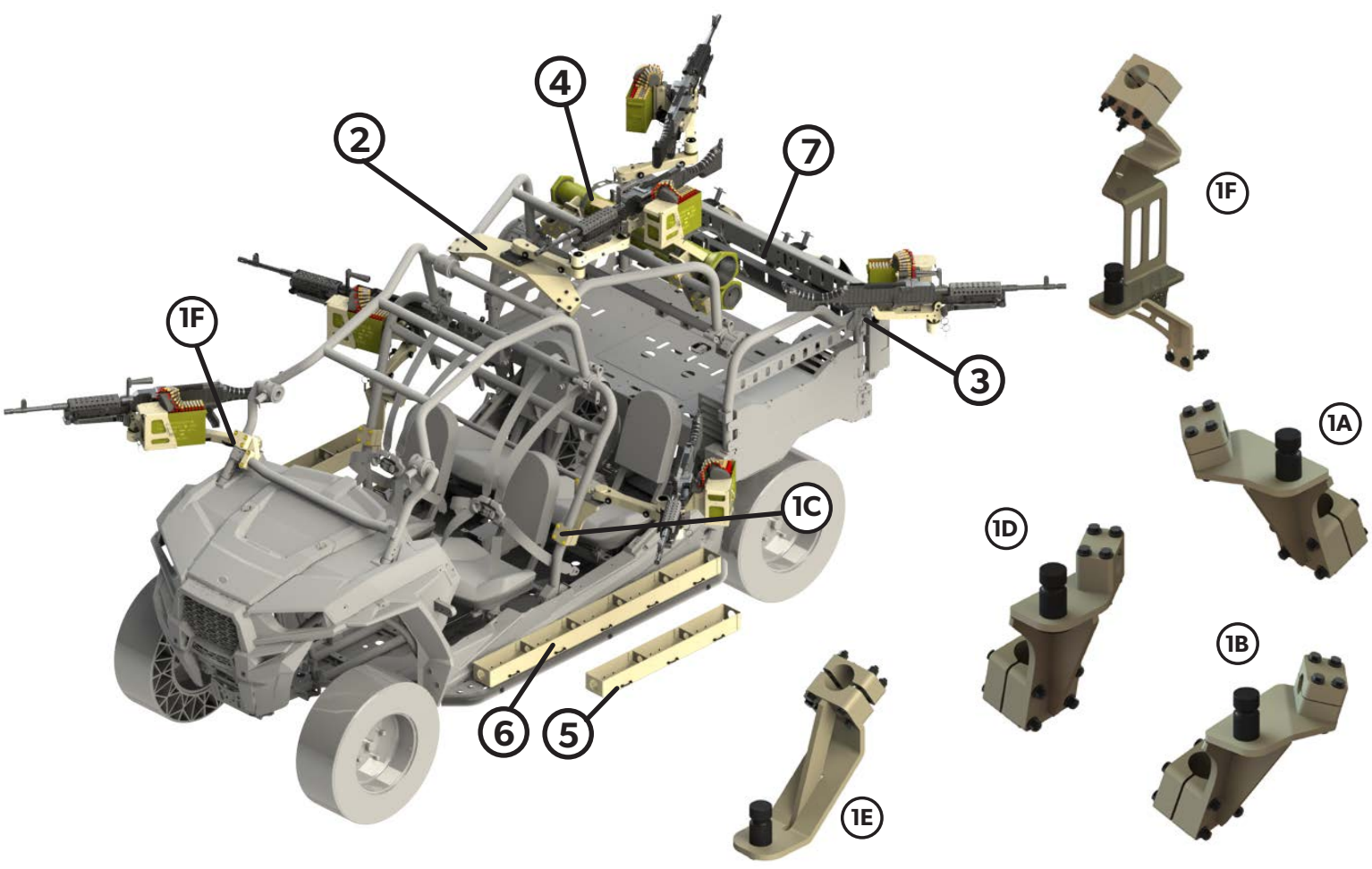


MILITARY SYSTEMS GROUP



MRZR

MRZR



MRZR

- 1. Mounting Bracket Swing Arm Pintles**
 - A. B-Pillar Swing Arm Curbside Bracket Diesel RZR-1040
 - B. B-Pillar Swing Arm Roadside Bracket Diesel RZR-1041
 - C. B-Pillar Swing Arm Curbside Bracket Gas RZR-050
 - D. B-Pillar Swing Arm Roadside Bracket Gas RZR-051
 - E. A-Pillar Swing Arm Curbside Bracket Gas RZR-025
 - F. A-Pillar Swing Arm Curbside Bracket Diesel RZR-1075
- 2. ROPS Medium Machine Gun Mounting Bracket** RZR-1009
- 3. C-Pillar Swing Arm Pintle Post** RZR-020
- 4. MRZR AT4 Missile Rack Assembly** RZR-015
Mounts two AT-4 Missile Launchers
- 5. MRZR 3-Bay Ammo Bin** RZR-038
Each Bay Holds 200 rds 5.56 or 7.62x51
- 6. MRZR 5-Bay Ammo Bin** RZR-041
Each Bay Holds 200 rds 5.56 or 7.62x51
- 7. MRZR Pioneer Tool Kit** RZR1010
Includes Mounting Bracket with Axe, Shovel, Sledgehammer and Mattock Pick

BUILD YOUR MOUNT

MRZR Mounting Bracket Swing Arm Pintles

+

SA20 Swing Arms
See Options Pg 42

+

H24-12 MG Mount
See Options Pg 18

LC79

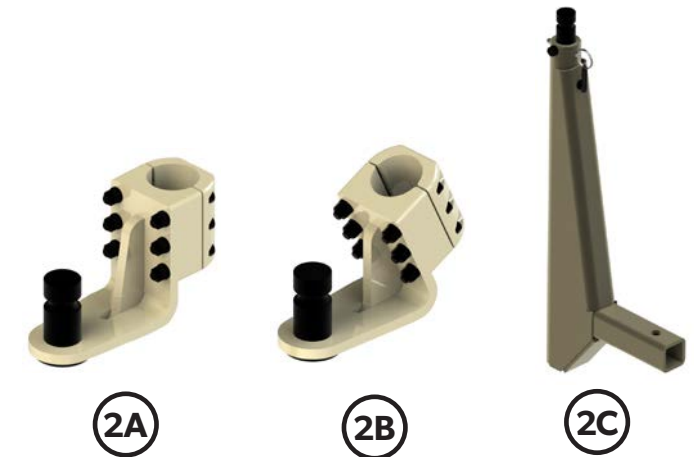
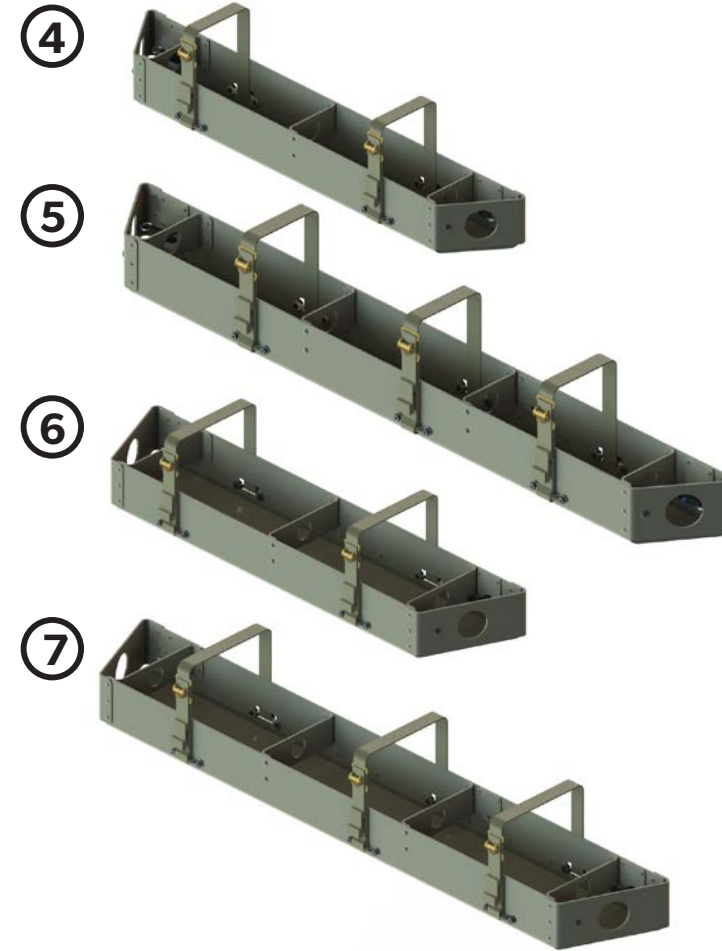
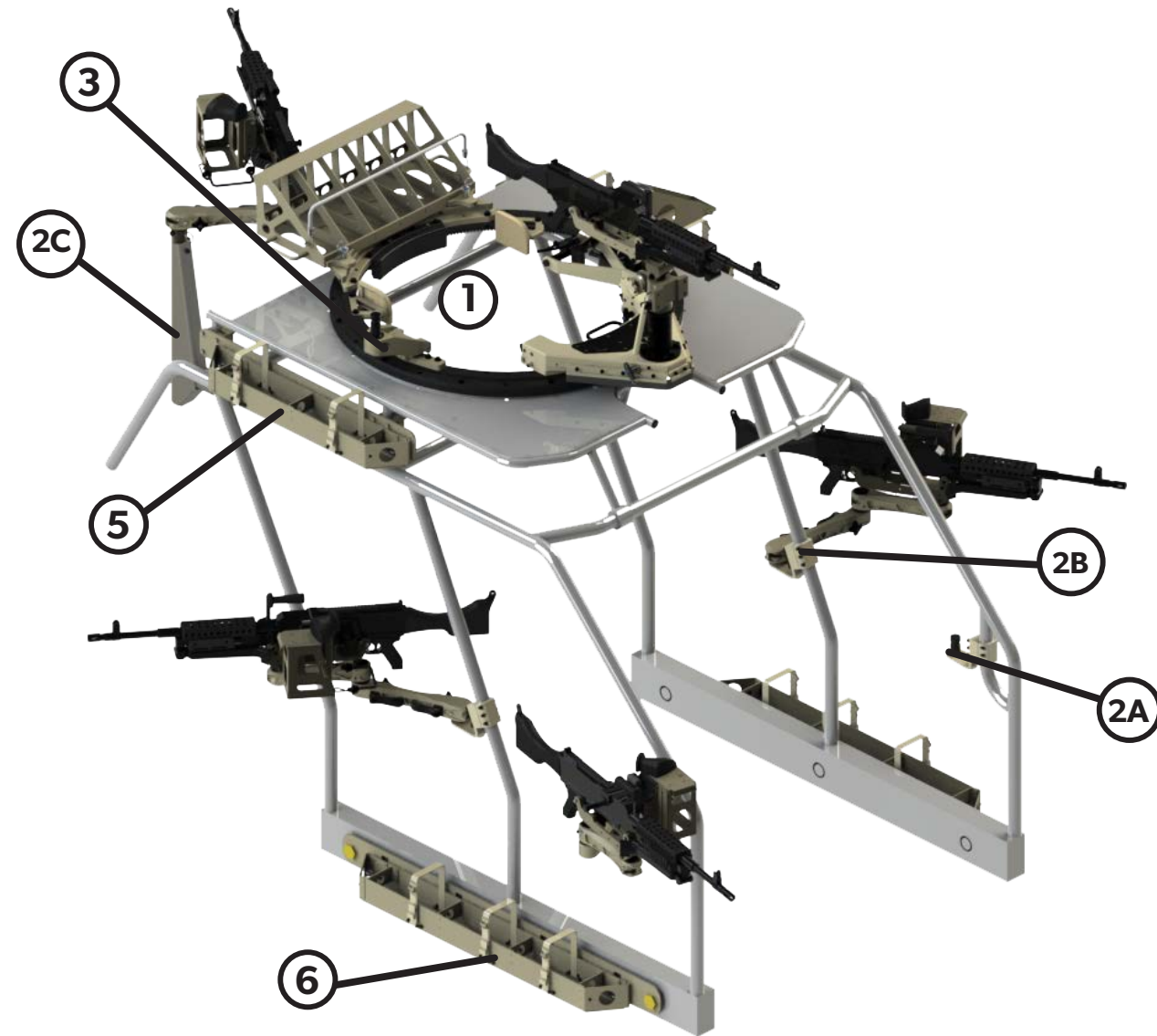


LC79

- 1. Pedestal Offset Pintle (POP)** M14-001
Seated Gun Mount for Light and Heavy Machine Guns. Turns 360°. Installed between wheels in cargo bed of nearly any vehicle including boats. Made from stainless steel base for maritime use, otherwise made from carbon steel. Options include low or high seat back and standard or tall base.
- 2. Adjustable-Height Offset Pedestal** M03-225
Pedestal Gun Mount for Light and Heavy Machine Guns. Turns 360°. UPA can be adjusted to different heights. Installs between wheels in cargo bed of nearly any vehicle including boats.
- 3. Adjustable-Height Pedestal** M03-350
Pedestal Gun Mount for Light and Heavy Machine Guns. Turns 180°. Can be adjusted to different heights. Installs behind cab in cargo bed of nearly any vehicle including boats.
- 4. Tactical Weapon Mounting Station Pedestal Bed Assy** M03-224
Pedestal Gun Mount for Light and Heavy Machine Guns. Turns 360°. UPA can be adjusted to different heights. Installs in cargo bed of nearly any vehicle including boats. Accommodates Swing Arm Mounting Pintles

VEHICLE MOUNTS

VEHICLE MOUNTS



BUILD YOUR MOUNT

SXV Mounting Bracket Swing Arm Pintles



SA20 Swing Arms



See Options Pg 42



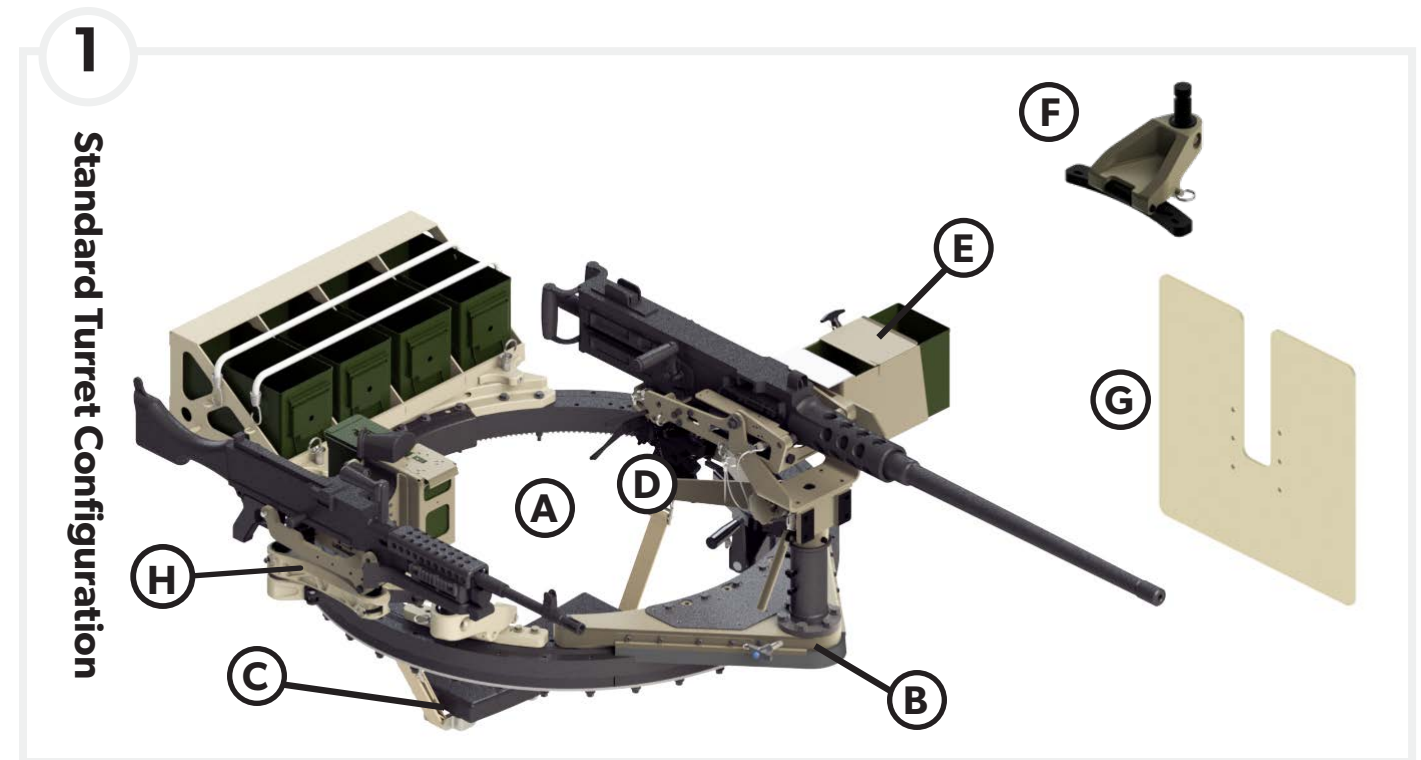
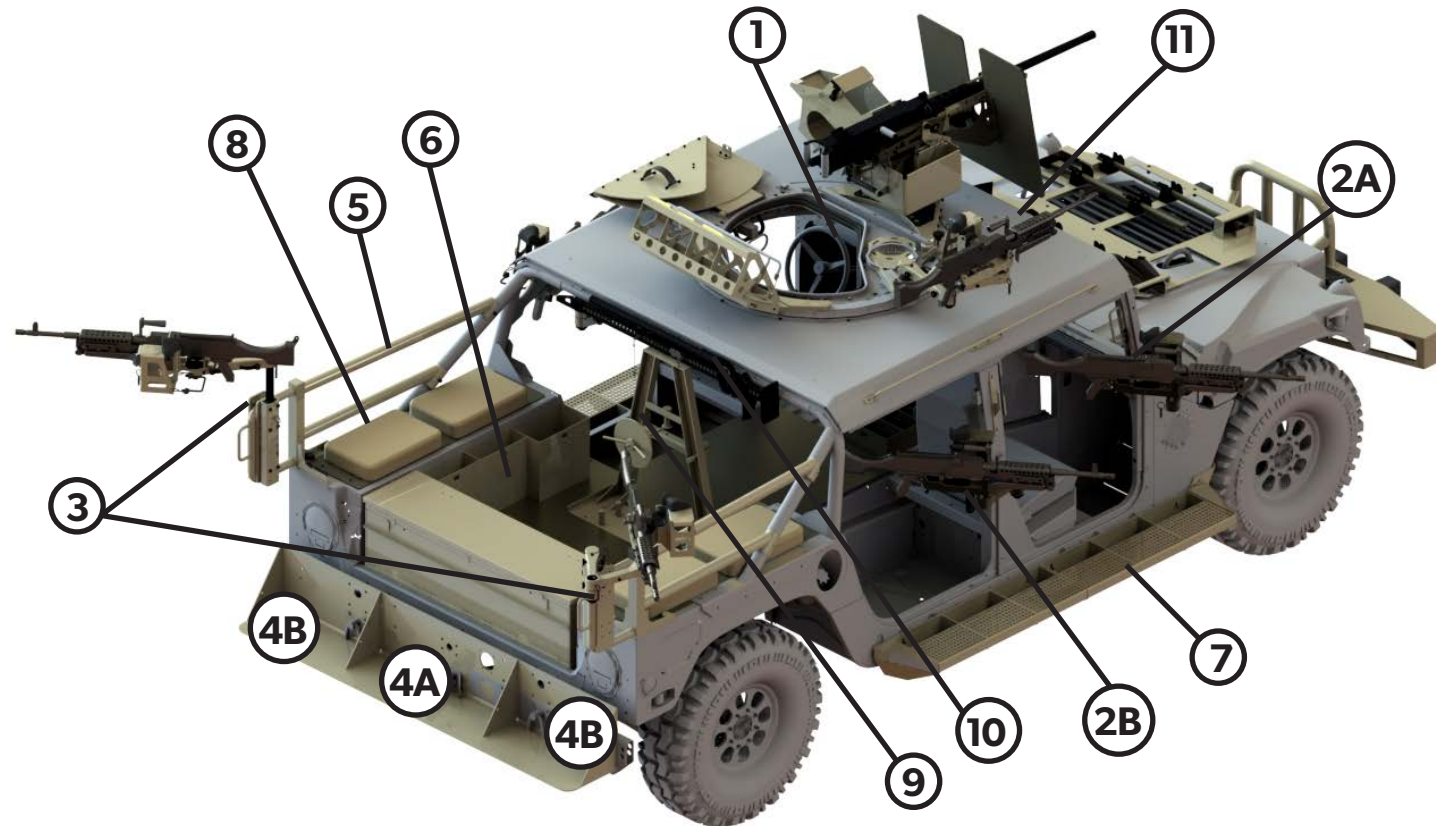
H24-12 MG Mount
See Options Pg 18



SXV

- 1. MSG Standard SXV Turret Configuration** **TUR1285**
Lightweight 360 degree Large Diameter 46" Turret (Turret Options Pg 26)
Holds (6) 7.62x51 cans (200 rounds each) (MG and Ammo Carrying options Pg 34)
Folding A-Frame. (A-Frame Options Pg 31)
Secondary weapon station
Manual Traversing Mechanism
Also Pictured
M240/M249 A-Frame Mounting system (MG mounting options Pg 18)
- 2. Mounting Bracket Swing Arm Pintles**
 - A. A-Pillar swing arm bracket SXV-001
 - B. B-Pillar swing arm bracket SXV-010
 - C. C-Pillar swing arm curbside bracket SXV-020
- 3. Secondary Weapon Station** **TUR2030**
- 4. SXV 2 Bay 7.62 Ammo Bin** **SXV-030**
Use with Ammo Can Holder Bracket. Upper SXV-042. Lower SXV-043. Each Bay Holds 200 rds 5.56 or 7.62x51

- 5. SXV 3 Bay 7.62 Ammo Bin** **SXV-032**
Use with Ammo Can Holder Bracket. Lower SXV-043. Each Bay Holds 200 rds 5.56 or 7.62x51
- 6. SXV 2 Bay 50 Cal Ammo Bin** **SXV-034**
Use with Ammo Can Holder Bracket. Upper SXV-042. Lower SXV-043. Each Bay Holds 100 rds .50 Cal
- 7. SXV 3 Bay 50 Cal Ammo Bin** **SXV-036**
Use with Ammo Can Holder Bracket. Lower SXV-043. Each Bay Holds 100 rds .50 Cal
- 8. Upper SXV ACH Bracket** **SXV-042**
- 9. Lower SXV ACH Bracket** **SXV-043**



2 BUILD YOUR MOUNT

HMMWV Mounting Bracket Swing Arm Pintles

SA20 Swing Arms
See Options Pg 42

H24-12 MG Mount
See Options Pg 18

HMMWV

1. MSG Standard HMMWV Turret Configuration TUR1251

- A. 360 degree 42" Turret** (Turret Options Pg 28)
Holds 4 x .50 Cal Ammo Boxes (100 rounds each)
(MG and Ammo Carrying options Pg 34)
- B. Fixed A-Frame** (A-Frame Options Pg 29)
- C. Quick Release Sling Seat**
- D. Manual Traversing Mechanism**
- E. M2/MK19 Mounting system** (MG mounting options Pg18)
- F. Secondary Weapon Station**
- G. Front Shield** (See options Pg 38)
- H. Secondary Weapon Swing Arm**

2. Medium Machine Gun Mounting Systems

- A. A-Pillar Curbside Adjustable Pintle**
Short Adjustable Pintle M09-160
Long Adjustable Pintle M09-199
- B. B-Pillar Roadside Bracket** M09-152
- C. B-Pillar Curbside Bracket** M09-150

3. Rear Machine Gun Mounts

Aft Tube and 16" Adjustable height pintle. (See Pintle Options Pg 43)

4. Rear Steps

Together can carry five 350 lb. soldiers and equipment.

- A. Rear Center Step** GMV-22002
- B. Rear Side Step** GMV-22001

5. Assault Cargo Rail.

Load bearing bedrail with built-in mounting for additional weapon stations.

6. 3-Bay "L-Shaped" Ammunition Bin.

200 rds .50 Cal and 800 rds 7.62x51
(Multiple Ammo Can Holder Options Pg 66)

7. 5-Bay Outboard Ammunition Bin.

Each Bin holds 200 rds 7.62x51 or 200 rds 5.56
Requires jack rail kit
(Multiple Ammo Can Holder Options Pg 66)

8. Two Seat Pad and Mounting Plate Set.

Roadside M70-445
Curbside M70-446

9. Spare Tire Carrier

Alternative

M70-450
GMV-18000

10. Hi-Lift 48" Jack and Bracket Mounting Bracket

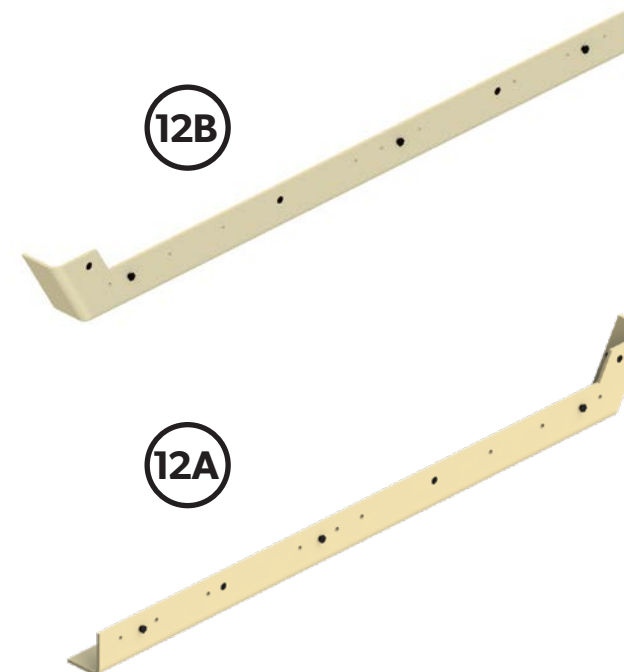
M70-150
M70-1510

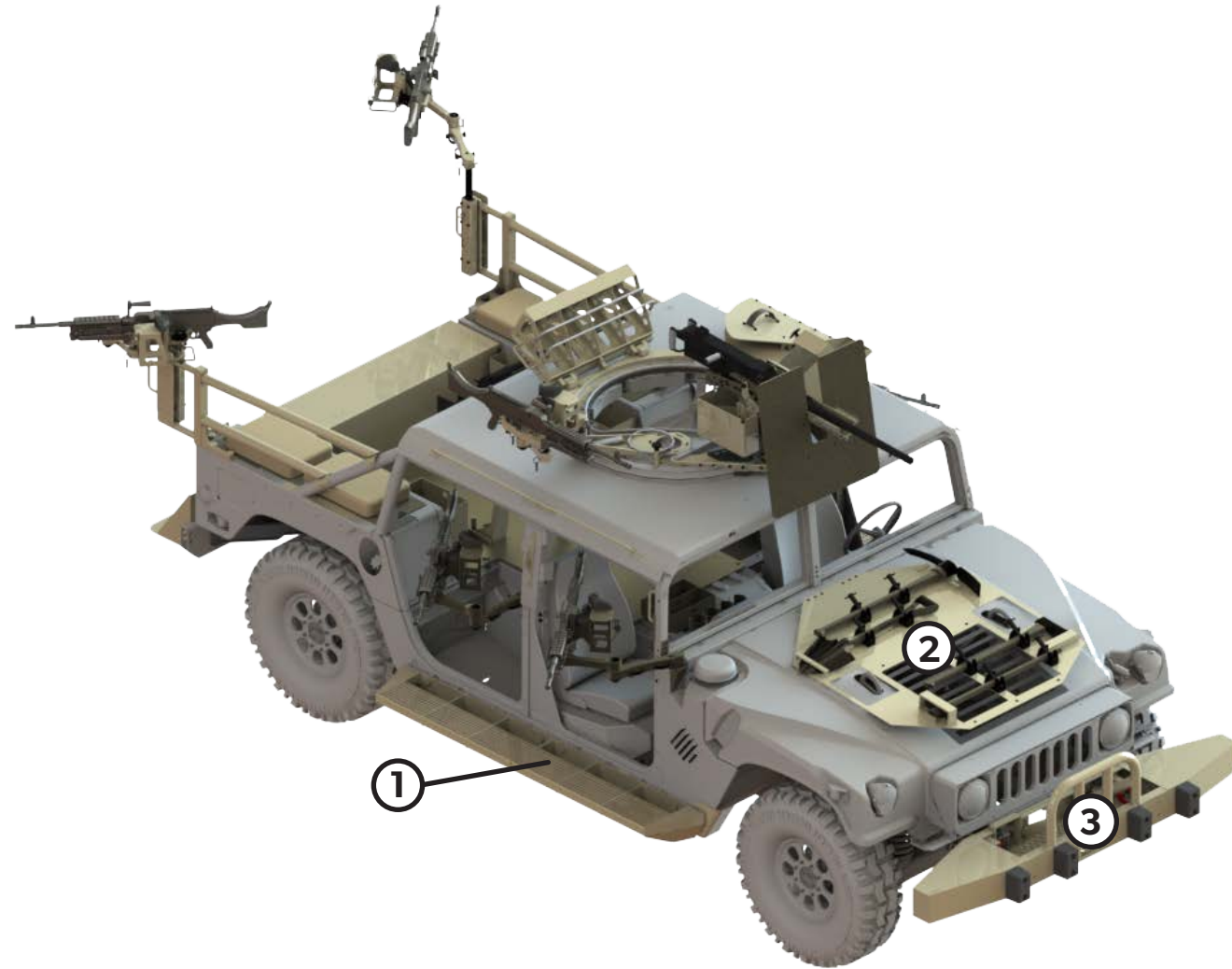
11. Secondary Weapon Station

TUR2030

12. Jack Rail Kit

A. Curbside mounting rail M70-048
B. Roadside mounting rail M70-047





HMMWV

1. Side Troop Steps with Integrated Ammunition Bins

Three ammo bins each. Each bin carries 200 rds 7.62x51 or 200 rds 5.56

- A. Right Front/Left Rear
- B. Left Front/Right Rear

M98-067
M98-068

2. Lightweight Pioneer Tool Kit

Includes Mounting Bracket with Axe, Shovel, Sledgehammer and Mattock Pick. (See pioneer tools on page 65)

GMV-35001
GMV-35011
GMV-35010

4. Winch Plate Synthetic Line and Hook

Supports Warn Industries Winch (PN 64730). 75 feet of synthetic winch line and a 20,000 lb. breaking strength

GMV-28001-02
GMV-28001-01

5. M1165 Side Troop Steps Driver Side Curbside

Each section holds three 230 lb. soldiers and equipment (Mounting Bars needed. Driver Side GMV-28007-02, Curbside GMV-28007-01)

6. Kit, Bracket, Brush Guard for Electric Wench

K70-101

7. Rear Bumper

GMV-33000

8. Rear Enclosure

Creates rear enclosure for M1165 HMMWV. Armored and unarmored.

GMV-63000

9. M1165 Catch Plate Cargo Area

Wheel Well Roadside
Wheel Well Curbside

Secure cargo to the floor. MS33601B slot profile. Various vehicle compatibility.

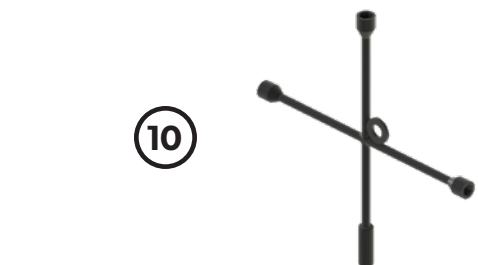
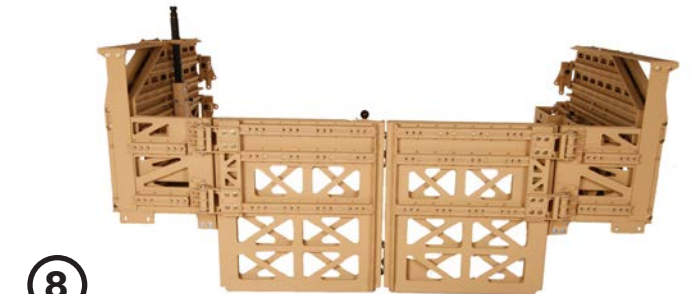
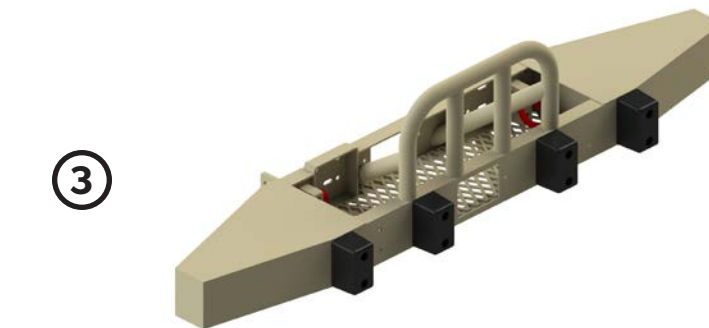
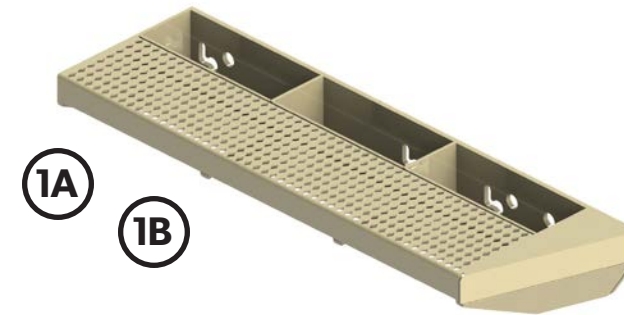
GMV-61000

GMV-61202

GMV-61201

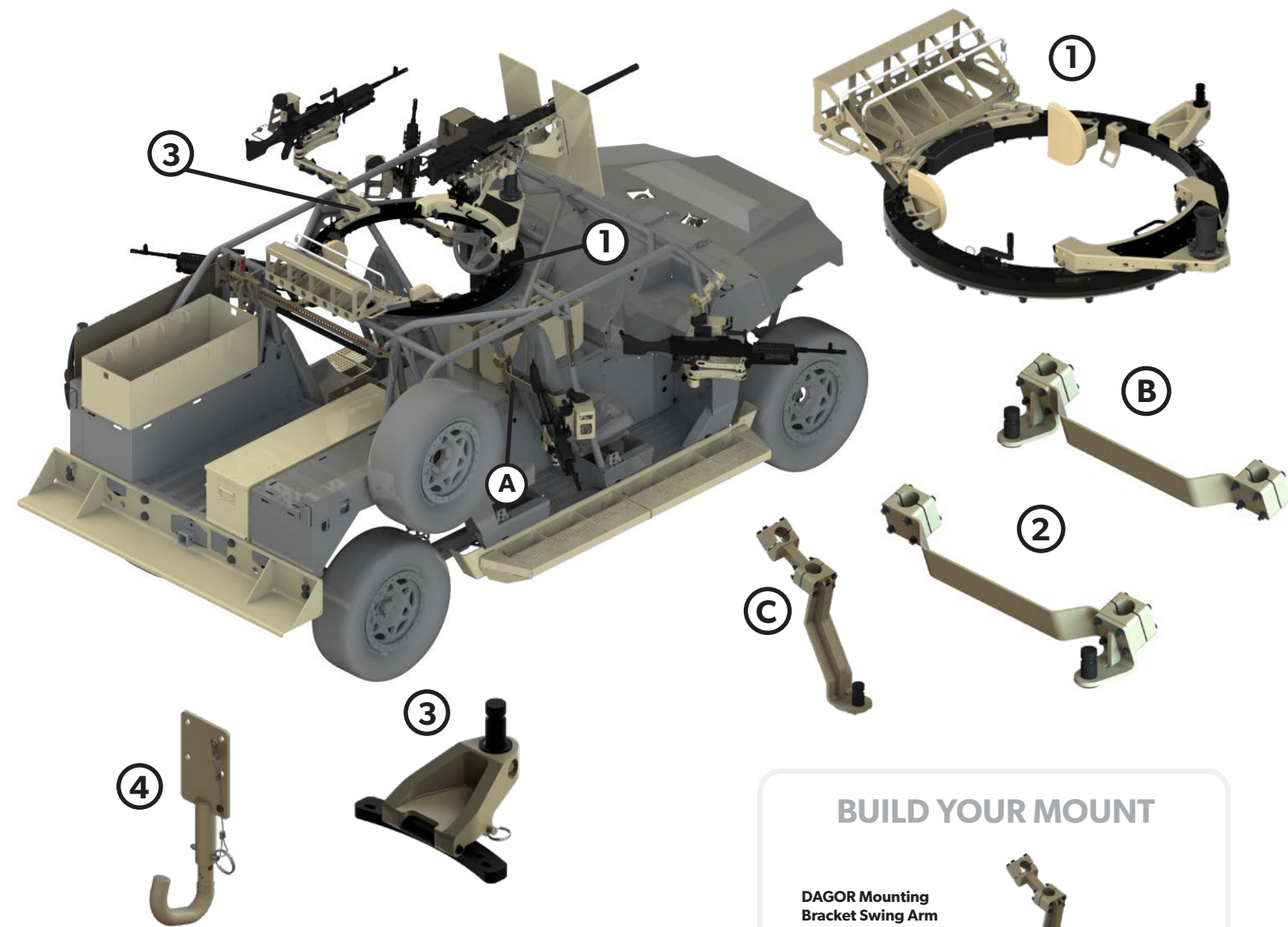
10. Four Socket Lug Wrench w/One Deep Socket for Split Rim Hardware

M70-313



DAGOR

TRUCK UNIVERSAL



DAGOR

- | | |
|---|----------------|
| 1. MSG Standard DAGOR Turret Configuration | TUR2000 |
| 360 degree Large Diameter 46" Turret (Turret Options Pg 30) | |
| Holds four – 50 Cal Ammo Boxes (100 rounds each) (MG and Ammo Carrying options Pg 34) | |
| Folding A-Frame. (A-Frame Options Pg 31) | |
| Secondary weapon station | |
| Manual Traversing Mechanism | |
| Also Pictured | |
| M2/MK19 Mounting system (MG mounting options Pg 18) | |
| 2. Mounting Bracket Swing Arm Pintles | |
| A. B-Pillar curbside bracket | DGR-002 |
| B. B-Pillar roadside bracket | DGR-012 |
| C. A-Pillar curbside bracket | DGR-001 |
| 3. Folding Secondary Weapon Station | TUR2030 |
| 4. DAGOR Stretcher Hook | DGR-020 |

BUILD YOUR MOUNT

DAGOR Mounting Bracket Swing Arm Pintles



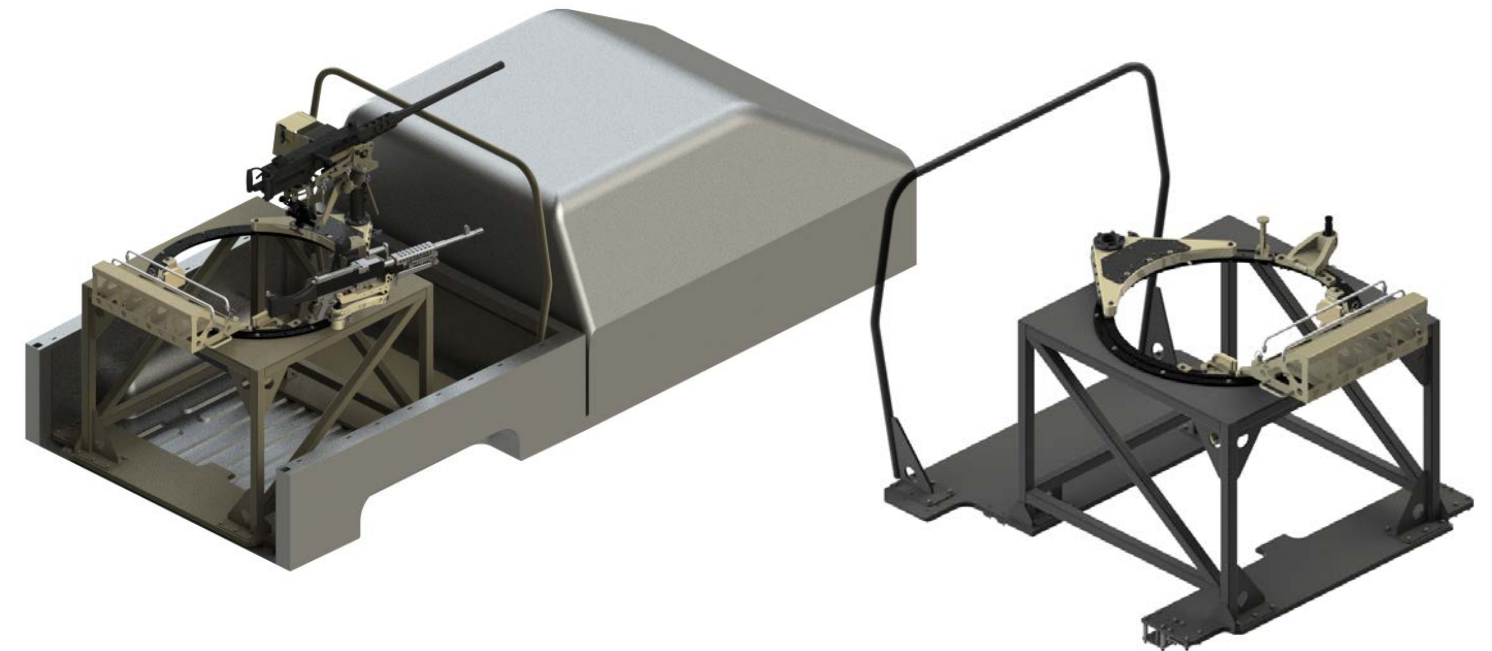
SA20 Swing Arms

See Options Pg 42



H24-12 MG Mount

See Options Pg 18



TRUCK UNIVERSAL

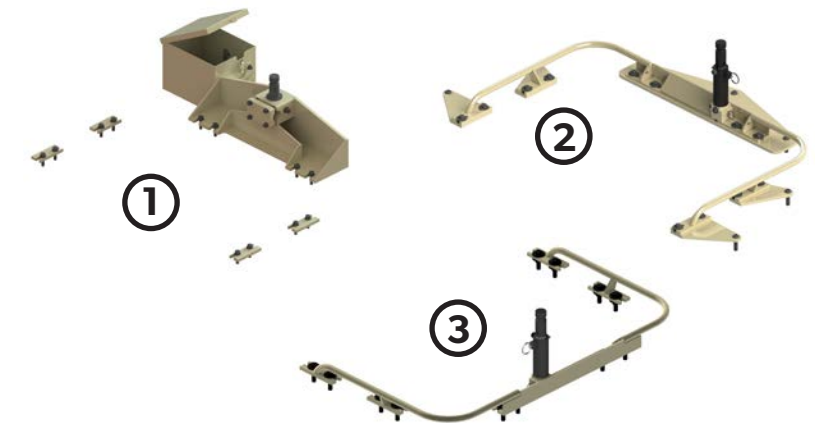
MSG 42" Turret and Stand for Bed of non-Standard Vehicle

TUR4008

The 42" Turret mounts into the frame and secures into baseplates in the bed of a non-standard vehicle. Includes a scarf rail to prevent the gunner from shooting the cab of the vehicle.

Engage with MSG to design and produce customized parts.

HIMARS AND M270



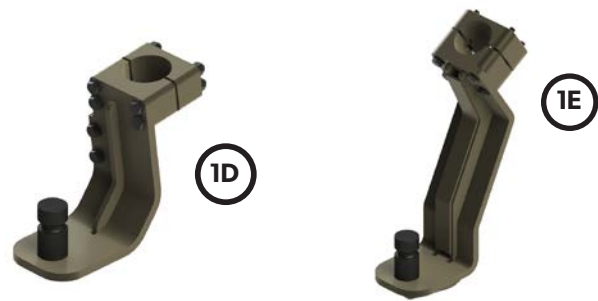
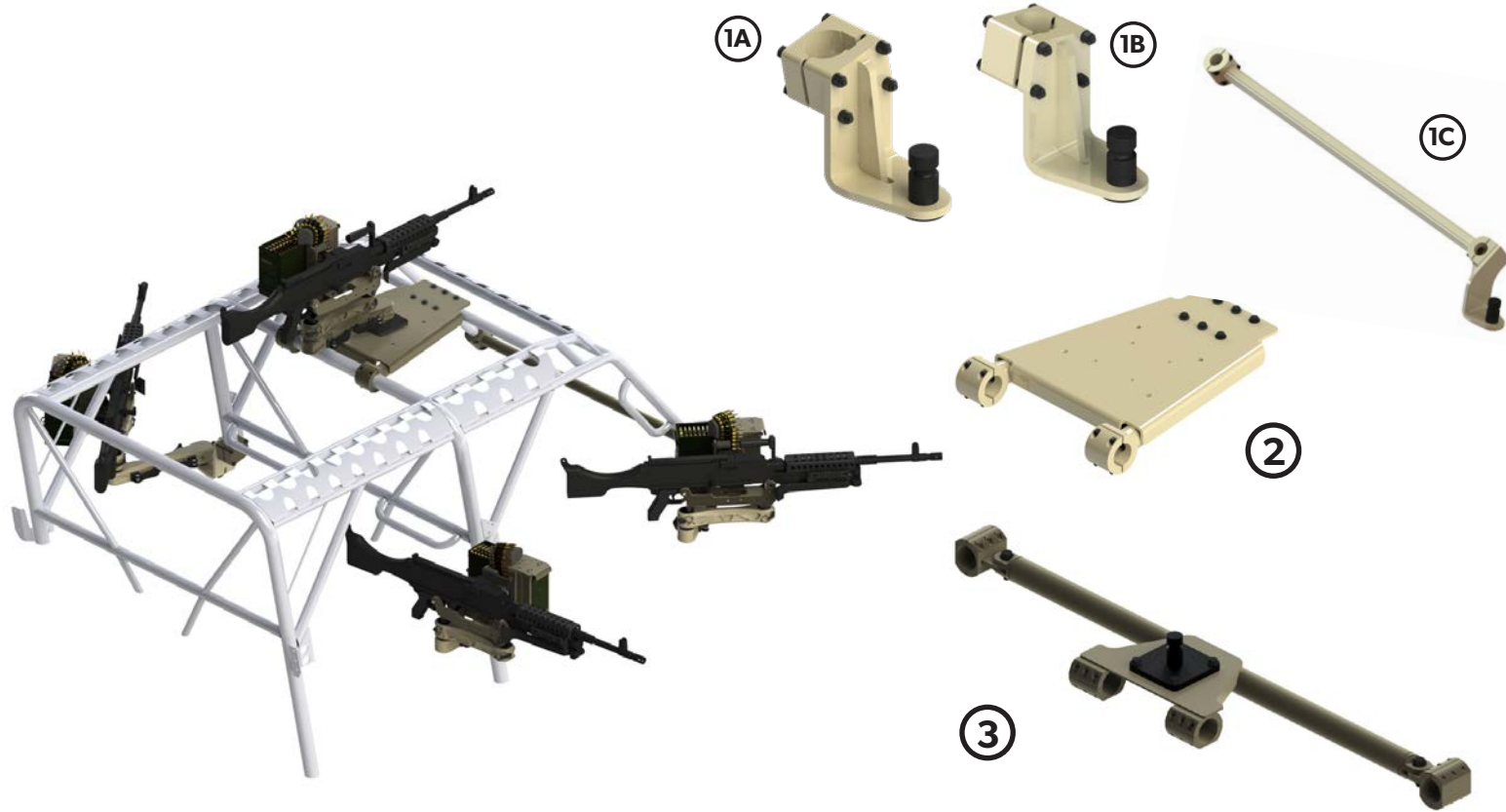
HIMARS AND M270

- | | |
|--|----------------|
| 1. M270 Swing Arm Pintle Bracket Assembly | M09-177 |
| 2. HIMARS Armored Cab Swing Arm Pintle Bracket Assembly | K10-605 |
| 3. HIMARS Unarmored Cab Swing Arm Pintle Bracket Assembly | M10-605 |

VEHICLE MOUNTS

VEHICLE MOUNTS

TOMCAR AND HAVOC



Tomcar and Textron HAVOC

1. Mounting Bracket Swing Arm Pintles

- | | |
|--------------------------------------|---------|
| A. Tomcar B-Pillar curbside bracket | M10-324 |
| B. Tomcar B-Pillar roadside bracket | M10-325 |
| C. Tomcar A-Pillar Swing arm bracket | M10-320 |
| D. Textron HAVOC B-Pillar bracket | TXT-110 |
| E. Textron HAVOC A-pillar | TXT-100 |

2. Tomcar ROPS Mount

No Pintle. Takes Flat-Base Mounting Bracket. M10-350

3. HAVOC ROPS Mount

M09-191
TXT-130

BUILD YOUR MOUNT

TOMCAR Mounting Bracket Swing Arm Pintles



+

SA20 Swing Arms



See Options Pg 42

+

H24-12 MG Mount



See Options Pg 18

RANGER FIRE SUPPORT SYSTEM (RFSS)

MORTAR CARRIER

MSG produces modular mobile Fires Support Systems for integration on various vehicle chassis. The MSG RFSS consists of the Mortar Carrier and the Ammunition Carrier, both built on the Polaris Ranger. Both vehicles can be center-loaded in a CH-47 at the same time. They have a combined weight of 6,400 lbs. including a four-man crew, combat equipment, and 28 rounds of 120mm ammunition. Each is fitted with a mounting bracket to allow the use of the MSG swing arm for machine guns.



The Mortar Carrier includes the M120 Mortar with the Mortar Fire Control System (MFCS), Pointer, PLUMMSS Control Box, PLUMMSS Programming Wand, and 85 AMP 24 Volt APU. It includes storage for 6 x 120mm mortar rounds of ammunition. The custom-designed battery box provides an additional 8 hours of quiet system use. The system accepts power from the generator, vehicle, batteries, or AC connections. It provides power to the hydraulic lift, the MFCS, communications seer, vehicle, and AC outlet.

AMMUNITION CARRIER

Custom designed front bumpers can accommodate a spare tire carrier, as well as optional pioneer tool kits. The bumper is designed to accommodate an electric winch. MSG also can provide optional recovery kits designed specifically for ATVs.

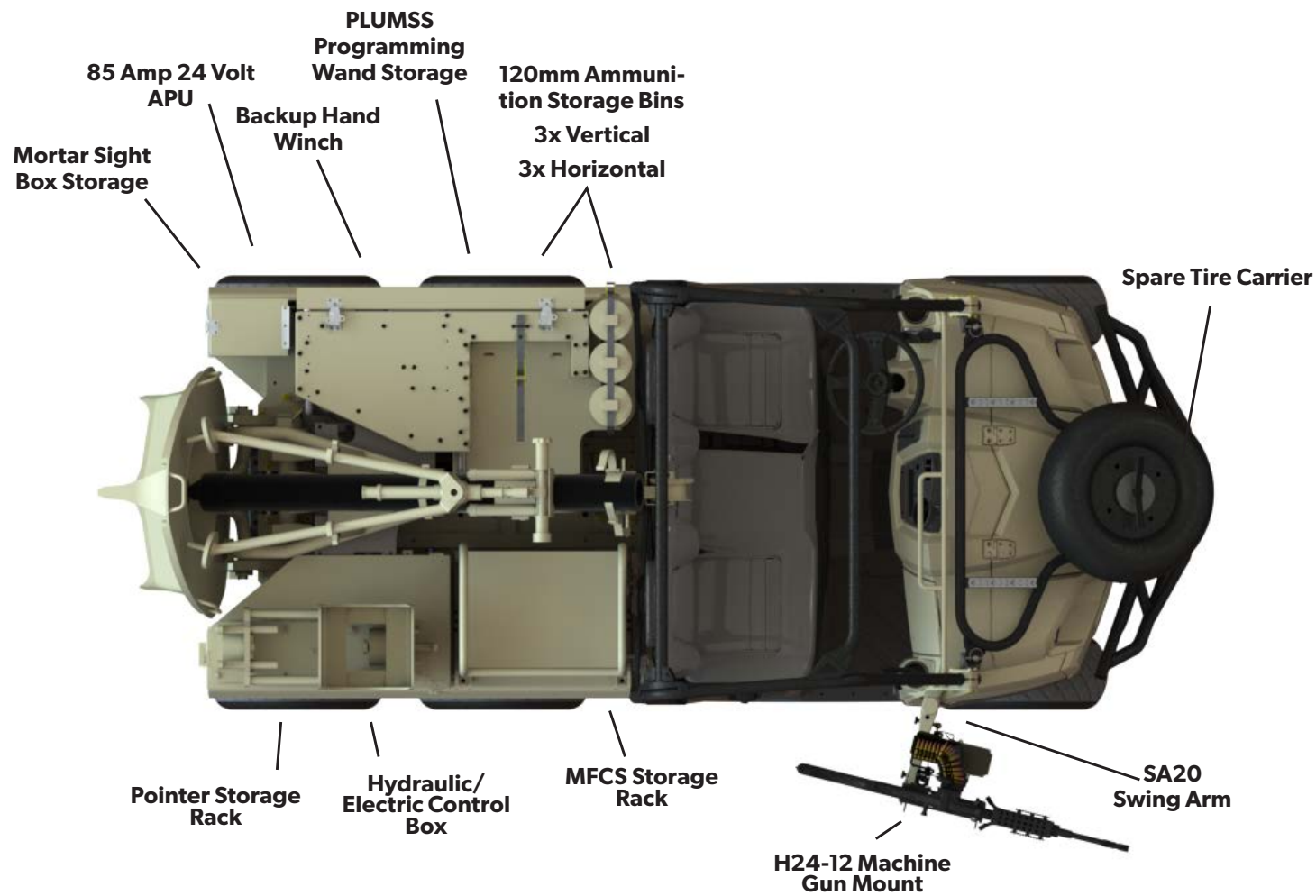


The Ammunition Carrier storage racks can hold 22 120mm mortar rounds, four five-gallon water or fuel cans, and four 200 round 7.62mm ammo cans. The rear of the vehicle has been outfitted with a cargo box for BII and other mission essential gear. The top of the racks and cargo box have been fitted with litter attachment points to allow two litters to be secured to the top.

VEHICLE MOUNTS

VEHICLE MOUNTS

RFSS - MORTAR CARRIER

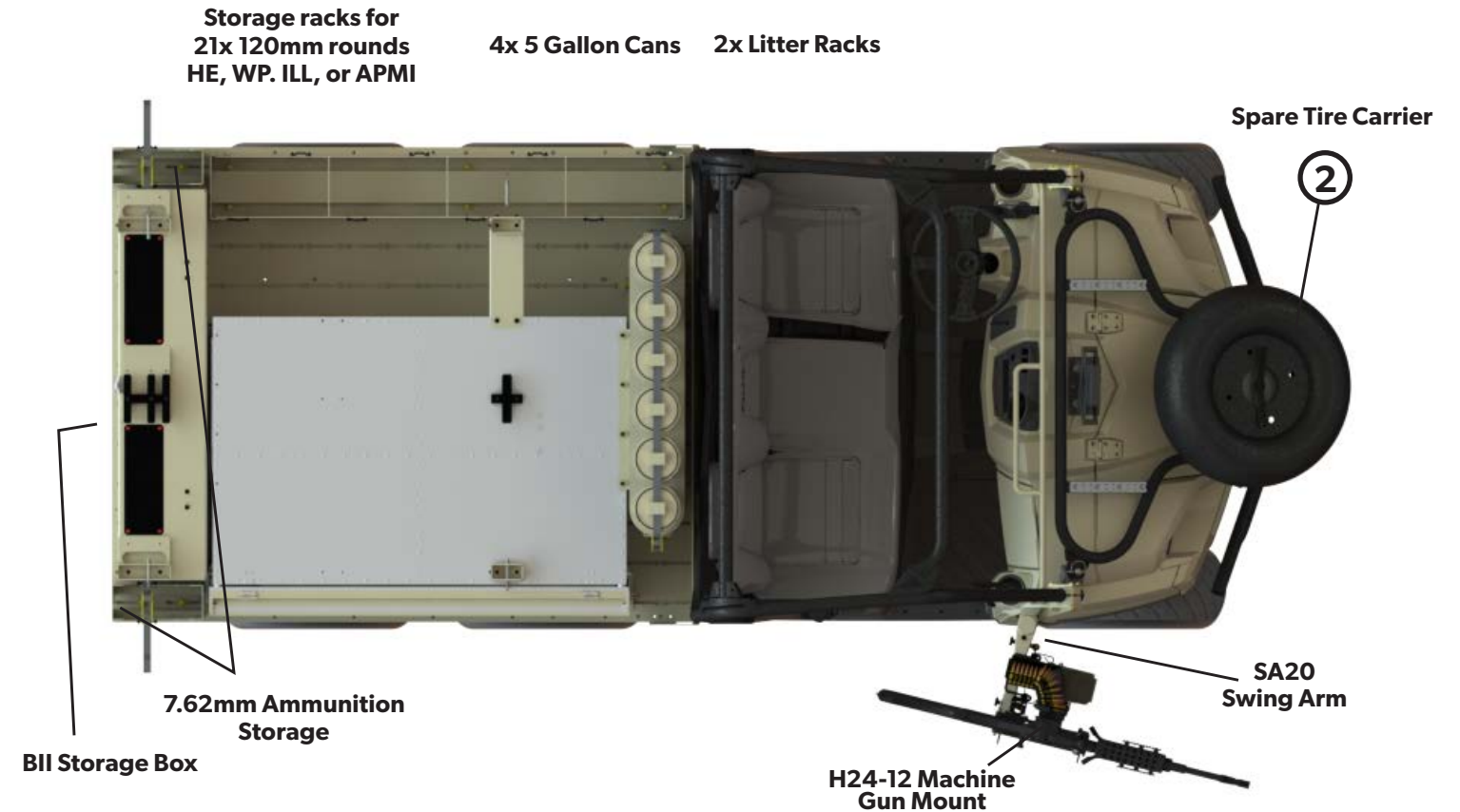


Optional Accessories

- + 4,500 lb. Winch Kit
- + SA20 Swing Arm
- + H24-12 Gun Mount
- + Pintle Bracket
- + Spare Tire Carrier
- + Recovery Kit
- + Sand Anchor
- + Pioneer Tool Kit
- + Spare Ammo Bins
- + Custom Bumper with 2" Tow and D Ring Hitch

Length	156 Inches w/ Mortar
Width	60 inches
Height	75 inches
GVW	3,200 lbs. with MSK equipment, M120mm Mortar and 6 rounds ammunition
Fuel	Gas
Fuel Tank	9 gallons or 34.1 liters
Range	approx 90 miles
Engine	800cc

RFSS - AMMUNITION CARRIER



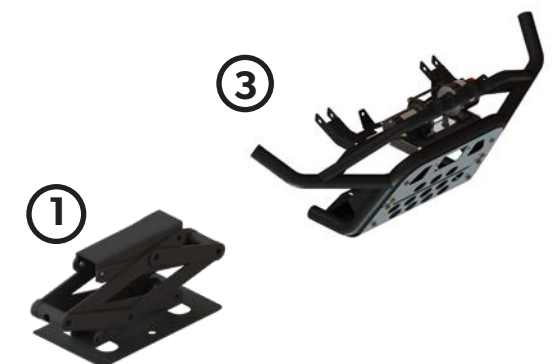
Optional Accessories

- + 4,500 lb. Winch Kit
- + SA20 Swing Arm
- + H24-12 Gun Mount
- + Pintle Bracket
- + Spare Tire Carrier
- + Recovery Kit
- + Sand Anchor
- + Pioneer Tool Kit
- + Spare Ammo Bins
- + Custom Bumper with 2" Tow and D Ring Hitch

Length	156 Inches
Width	60 inches
Height	75 inches
GVW	3,200 lbs. with 21 x 120mm rounds of ammunition, 10 gal fuel, 10 gal H2O
Fuel	Gas
Fuel Tank	9 gallons or 34.1 liters
Range	approx 90 miles
Engine	800cc

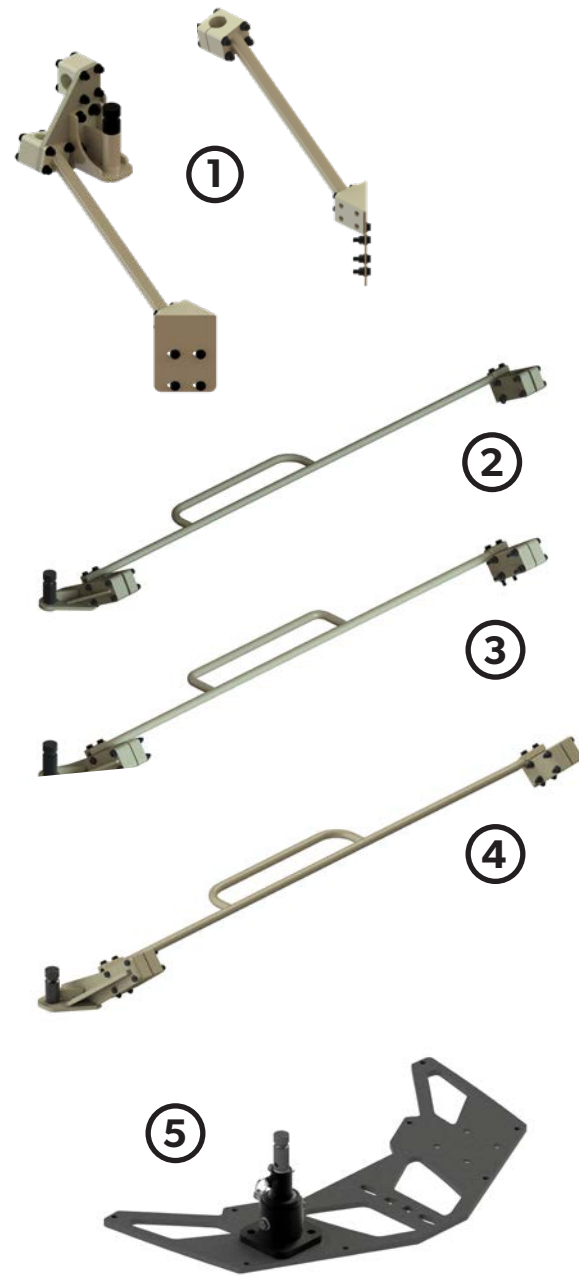
RFSS Accessories

- | | |
|--|---------|
| 1. RFSS Scissor Jack | M57-205 |
| 2. RFSS Spare Tire Rack | M57-160 |
| 3. RFSS Brush Guard with Winch Bracket | M57-361 |



VEHICLE MOUNTS

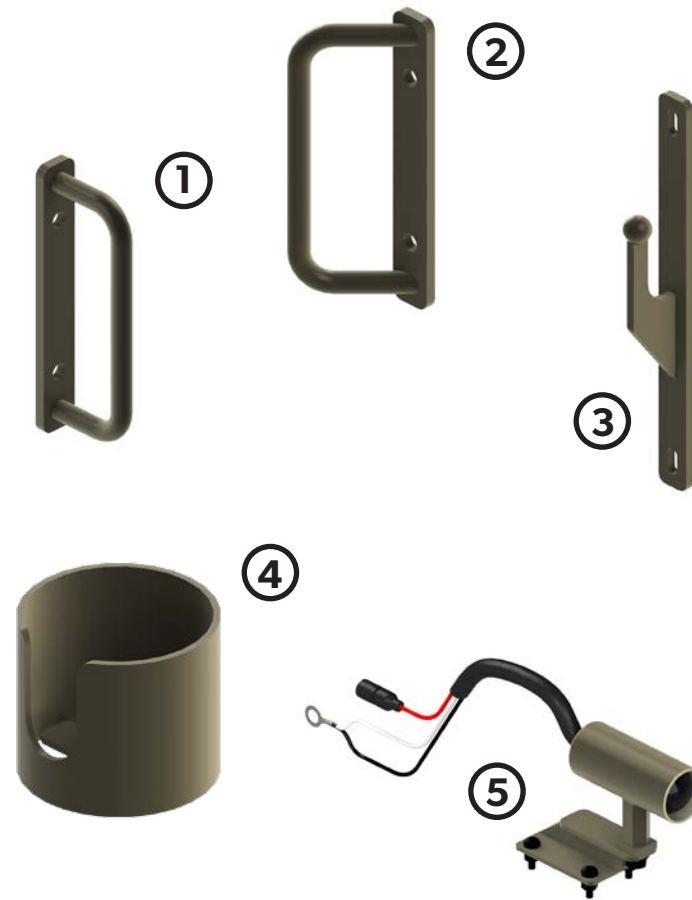
VEHICLE MOUNTS



Misc Vehicle Swing Arm Mounting Brackets

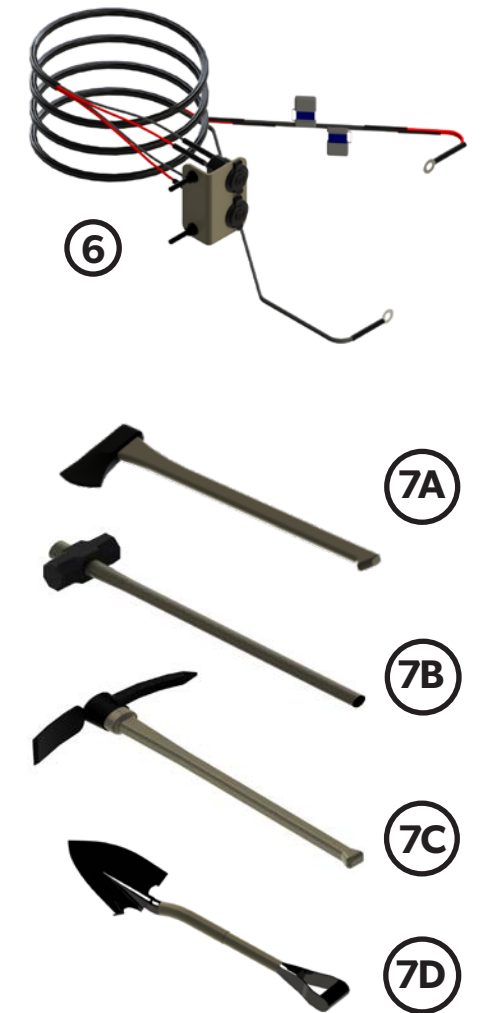
1. Polaris MV850 A-Pillar Curbside Mounting Bracket	MV8-004
2. Polaris Ranger A-Pillar Curbside Mounting Bracket	M10-306
3. Kawasaki Teryx A-Pillar Curbside Mounting Bracket	M10-300
4. Can-Am Commander A-Pillar Curbside Mounting Bracket	M49-001
5. Can-Am Outlander Front Cargo Rack Mounting Plate with Swing Arm Mounting Pintle	M49-025

Engage with MSG to design and produce customized parts.



Misc Vehicle Swing Arm Mounting Brackets

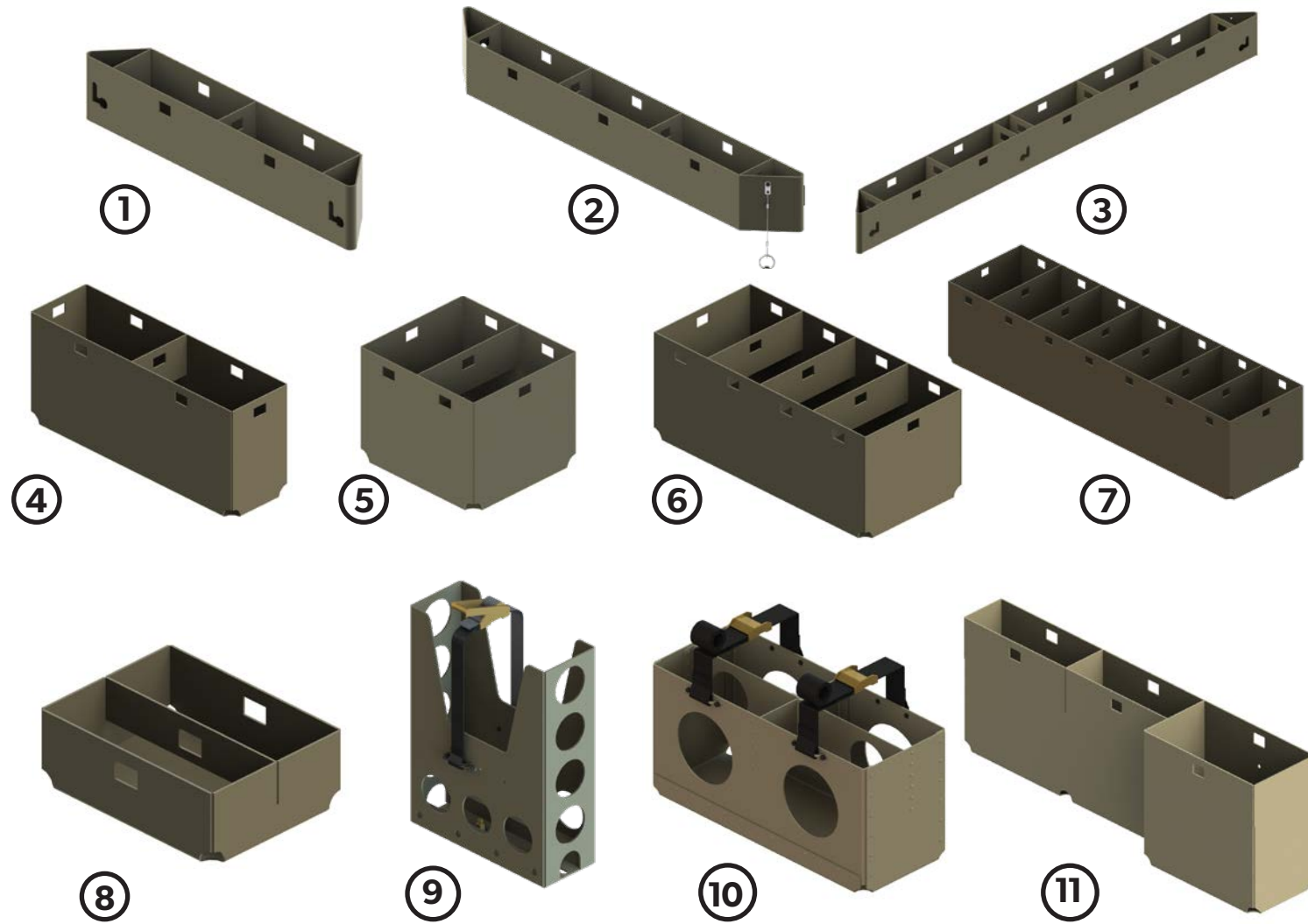
1. Grab Handle	M70-044
2. Angled Grab Handle	M70-045
3. Load-Bearing Vest Hook	M70-250
4. Grenade Holder and Mounting bracket	M70-249-REVA, M70-453
5. Infrared (IR) Light	M70-296
6. 12V DC Waterproof Receptacles	M70-253
7. Pioneer Tools	
Tools mounted in all pioneer tool kit mounting brackets	
A. Axe	M70-315
B. Sledgehammer	M70-215
C. Mattock	M70-217
D. Shovel	M70-216
8. Mortar Trailer	12AA01000
9. ATV Bed Plate	OGR6400



VEHICLE MOUNTS

VEHICLE MOUNTS

VEHICLE MOUNTED AMMUNITION CAN HOLDERS (ACH)



Vehicle Mounted Ammunition Can Holders (ACH)

- | | | | |
|---|--|-----------------------------|--|
| 1. 2 Bay Outboard ACH. Roadside M70-549. Curbside M70-550
Each Bay Holds 200 rds 5.56 or 7.62x51 | | | |
| 2. 3-Bay Outboard ACH. Roadside M70-027. Curbside M70-028
Lightweight 3-Bay Outboard ACH. GMV-60502
Each Bay Holds 200 rds 5.56 or 7.62x51 | | | |
| 3. 5-Bay Outboard ACH. Roadside M70-030. Roadside M70-031
Each Bay Holds 200 rds 5.56 or 7.62x51 | | | |
| 4. 2-Bay Inboard Double Inline .50 Cal ACH
Each Bay Holds 200 rds .50 Cal | M70-024 | | |
| 5. 2-Bay Inboard Double Side by Side .50 Cal ACH
Lightweight 3-Bay Inboard Double ACH
Each Bay Holds 200 rds .50 Cal | M70-023
GMV-60001 | | |
| 6. 4-Bay Inboard Double .50 Cal ACH
Each Bay Holds 200 rds .50 Cal | M70-020 | | |
| 7. 7-Bay Inboard Double .50 Cal ACH
Each Bay Holds 200 rds .50 Cal | | M70-021 | |
| 8. 2-Bay Inboard Double ACH 7.62x51
Lightweight 2-Bay Inboard Short ACH
Each Bay Holds 400 rds 5.56 or 7.62x51 | | M70-022
GMV-60006 | |
| 9. 1-Bay Inboard Double ACH 7.62x51
Holds 400 rds 5.56 or 7.62x51 | | M81-001 | |
| 10. 4-Bay Inboard Double ACH 7.62x51
Each Bay Holds 400 rds 5.56 or 7.62x51 | | M70-585 | |
| 11. 3-Bay Inboard L-Shaped Double ACH.
Holds 800 rds 5.56 or 7.62x51 and 200 rds .50 Cal | Roadside M71-012
Curbside M71-013 | | |
| Lightweight 3-Bay Inboard L-Shaped Double ACH
Holds 800 rds 5.56 or 7.62x51 and 200 rds .50 Cal | Roadside GMV-60005
Curbside GMV-60004 | | |

Note: Any .50 Cal Bin can alternatively carry a 100 rd. can or a PA70 can with 225 rds .50 Cal.



MILITARY SYSTEMS GROUP

VEHICLE MOUNTS



**NAVAL
SYSTEMS**

NAVAL SYSTEMS



**Naval Systems Stands
and Pedestals**

Page 68



**Naval Machine
Gun Mounts
Organized By Weapon**

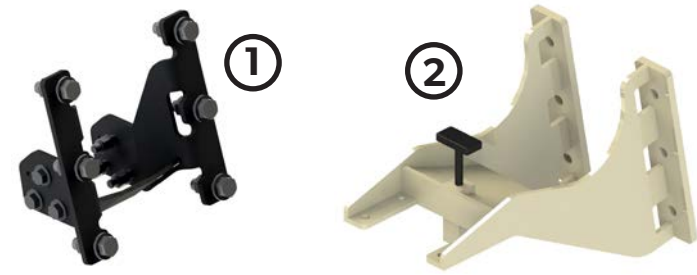
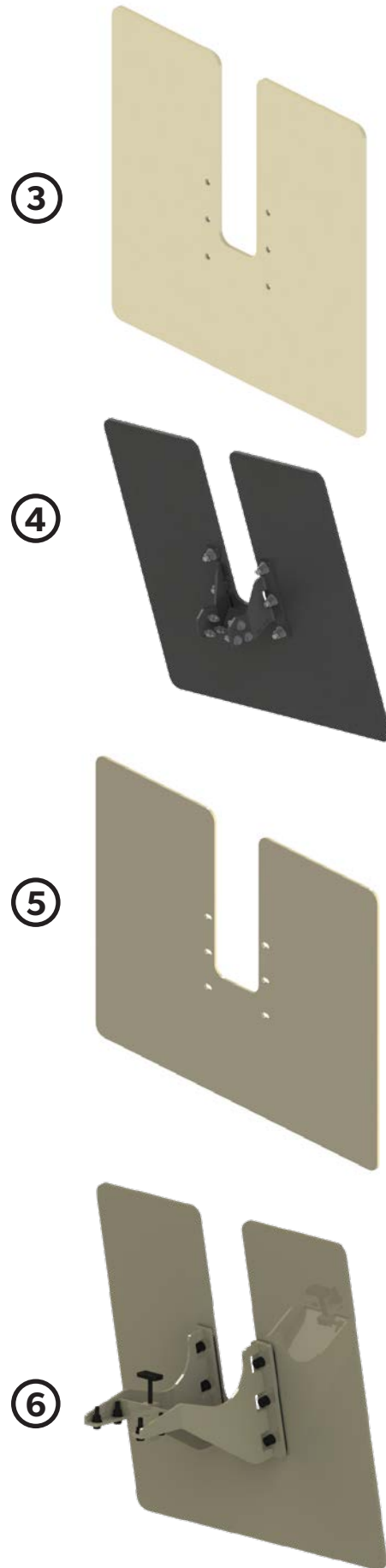
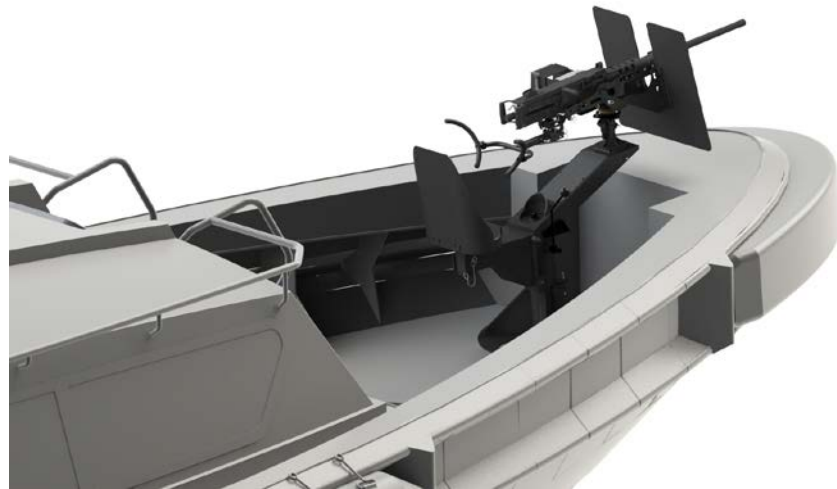
Page 70



**Machine Gun
Mount Accessories**

Page 70

NAVAL FRONT SHIELDS AND BRACKETS



Front Shields and Brackets

- 1. Mounting Bracket only for -9 Mounts** M98-110-01
- 2. Front Shield Bracket for MK93** M35-310
Six-hole mounting plate for Shield. Mounts to MK93
- 3. Front Armor Shield** M98-002
27" X 27". .3/8" thick armor
- 4. Front Armor Shield Assembly H24/H60** M98-110
Includes Shield M98-002 and #1 Mounting Bracket
- 5. Front Armor Shield** TUR1110-01
32" X 26". .25" thick armor
- 6. Front Armor Shield Assembly for MK93** M35-02
Shield is M98-002. 27" X 27". .3/8" thick

NAVAL TRIPOD, SWING ARMS AND PEDESTALS



- 7. Pedestal Offset Pintle (POP)** M14-004
Seated Gun Mount for Light and Heavy Machine Guns. Turns 360°. Installs on nearly any vehicle platform including boats. Made from stainless steel base for maritime use. Options include low or high seat back and standard or tall base.
- 8. MK16 MOD9 Tripod Assembly** M03-600
Pedestal Gun Mount for Light and Heavy Machine Guns. Turns 360°. Installs in cargo bed of nearly any vehicle including boats.
- 9. 33" MK16 Tripod** M03-400
Four-hole mounting pattern for multiple possible attachments
- 10. MK16 MOD8** M03-602
Mounts Heavy Machine Guns. Adjustable train stops to limit fields-of-fire
- 11. SA9 Base Assembly** SA9-011
- 12. SA9 MOD 1 Swing Arm** SA9-MOD1
- 13. SA9 MOD 2 Swing Arm** SA9-MOD2
- 14. Stand, Vertically Mounted (SVM)** M01-001 / M01-002
SVM-1 Socket towards gunner
SVM-2 Socket away from gunner
Optional train stops to limit traverse

Fixed Base Pedestals

For Medium Machine Gun Mounts. Optional Train stops to set traversing limits

- 15. PS41 Plug-In Pedestal** M06-041
- 16. P41 Fixed-Base Pedestal 41"** M05-041
- 17. P3 Fixed-Base Pedestal 3"** M05-003
- 18. P7 Fixed-Base Pedestal 7"** M05-007
- 19. P18 Fixed-Base Pedestal 18"** M05-018

M2/M2HB/M3 .50 Cal MK19 MOD3



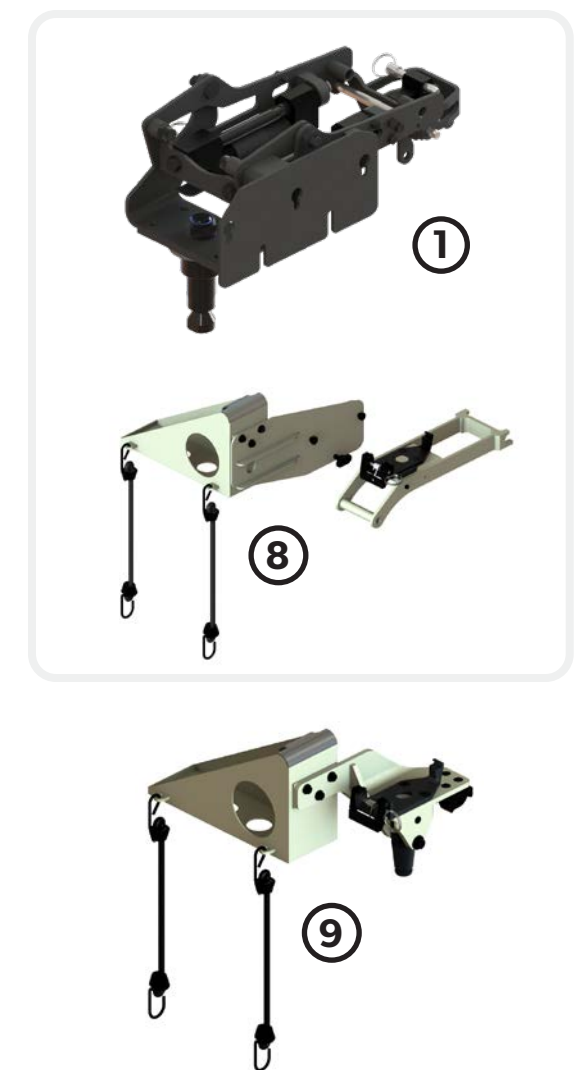
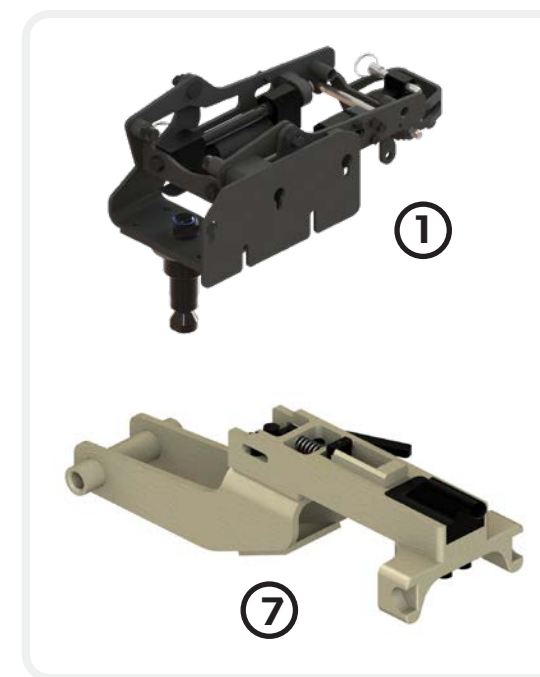
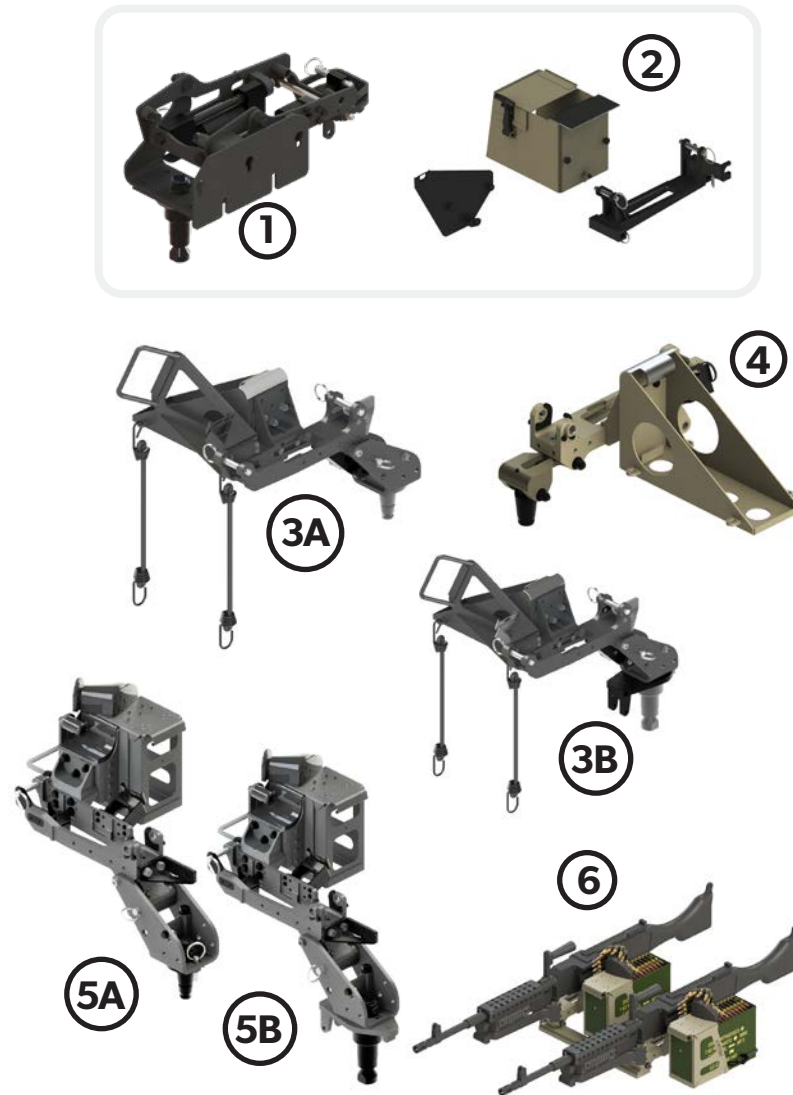
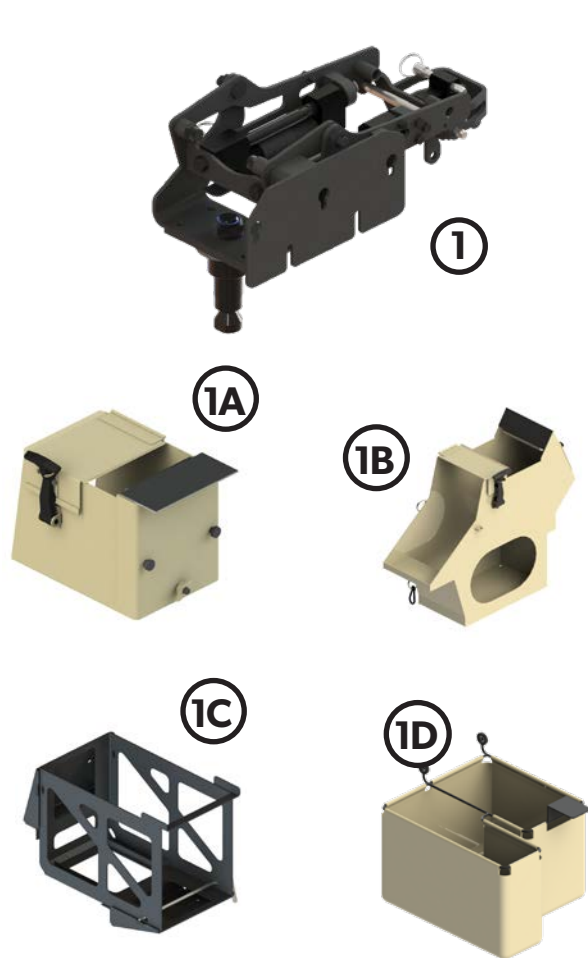
M240/M249



MG3



M60/MK43



Engage with MSG to design and produce customized parts.

M2/M2HB/M3 .50 Cal, MK19 MOD4

- | | |
|---|----------------------------------|
| 1. MK93 MOD4 Machine Gun Mount
M2 .50 Cal machine gun and MK19 40mm grenade launcher mount. Base for MSG adapters for mounting various medium machine guns. | M35-008 |
| A. .50 Cal and 7.62 Ammunition Can Holder. Steel
Stainless Steel | M36-403
M35-403 |
| B. Multi-Caliber Ammunition Can Holder. | M35-413 |
| Holds one 100 rd. .50 Cal can or one 200 rd 7.62 can
Holds one PA70 can with 225 rds .50 Cal | |
| C. 40mm Ammunition Can Holder. Steel
Stainless Steel | M36-404
M35-404 |
| Holds one 32 rd 40mm can | |
| D. MK93 Catch Bag | 6650723 |
| Steel frame, fabric link and brass catch bag | |

M240/M249

- | | |
|--|-------------------|
| 1. MK93 MOD4 Machine Gun Mount | M35-008 |
| M2 .50 Cal machine gun and MK19 40mm grenade launcher mount. Base for MSG adapters for mounting various medium machine guns. | |
| 2. M249/M240 Adapter Kit for MK93 | M35-800 |
| Installs into MK93 | |
| OR | |
| 3. H24-9 | |
| A. With tapered standard NATO pintle | H24-9-MOD1 |
| B. With large standard NATO pintle | H24-9-MOD2 |
| 4. H24 OTM for Use with T&E | M24-029 |
| With ears for T&E attachment | |
| 5. H24-9 for MK48 | |
| A. With tapered standard NATO pintle | H24-9-MOD3 |
| B. With large standard NATO pintle | H24-9-MOD4 |
| 6. H24 TWO Twin M240/M249 Mount | M24-099 |
| Mounts two weapons on the same system | |

MG3

- | | |
|--|----------------|
| 1. MK93 MOD4 Machine Gun Mount | M35-008 |
| M2 .50 Cal machine gun and MK19 40mm grenade launcher mount. Base for MSG adapters for mounting various medium machine guns. | |
| 7. MG3 Adapter Kit for MK93 | M36-120 |
| Installs into MK93 | |



M60/MK43

- | | |
|--|----------------|
| 1. MK93 MOD4 Machine Gun Mount | M35-008 |
| M2 .50 Cal machine gun and MK19 40mm grenade launcher mount. Base for MSG adapters for mounting various medium machine guns. | |
| 8. M60 Adapter Kit for MK93 | M25-805 |
| Installs into MK93 | |
| 9. H60-6 | M25-800 |



PKM

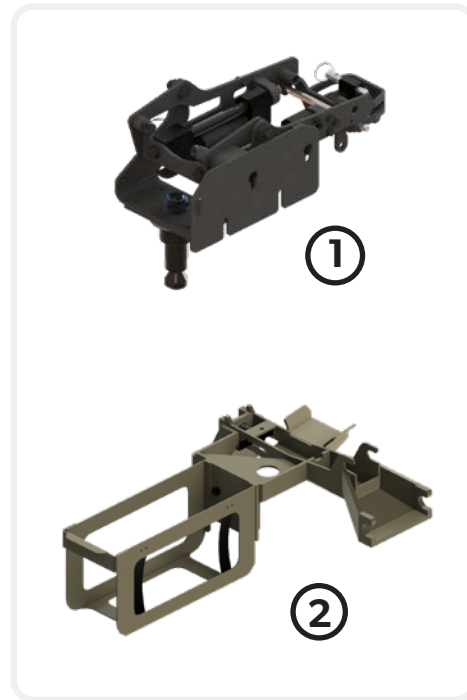


DShK



Barrett Shooter Rest

Barrett Shooter Rest



PKM

- 1. MK93 MOD4 Machine Gun Mount** **M35-008**
M2 .50 Cal machine gun and MK19 40mm grenade launcher mount. Base for MSG adapters for mounting various medium machine guns.
- 2. PKM Adapter Kit for MK93** **M38-100**
Installs into MK93

DShK

- 3. DShK Machine Gun Mount with Naval Pintle** **M37-105**
Made with non-corrosive materials
- 4. PKM Adapter Kit for DShK** **M38-240**
Installs into DShK Machine Gun Mount

MK93 Accessories

- 5. MK93 Dual Shoulder Rest** **M36-090**
Provides significantly improved control and accuracy. Attaches to the MK93. Installation requires no tools.
- 6. MK93 Tri-Rail Light Bracket** **M36-900**
Three Picatinny rails for attaching optics. Does not interfere with quick change barrel.

Barrett Shooter Rest

- 7. Barrett Shooter Rest** **BSR-001**
Mounts the Barrett M82 and M107 .50 Cal rifles. Incorporates a small tapered pintle.
 - Fine traverse, elevation and cant adjustments
 - Adjustable drag
 - Reduces recoil by 70%

REFERENCE

PINTLE TYPES



Common Swing Arm Mounting Pintle



SA7 Swing Arm Mounting Pintle



Small Tapered Pintle



Standard NATO Tapered Pintle G3 Cone



Standard NATO Large Pintle

AMMO BOX MEASUREMENTS



MILITARY SYSTEMS GROUP



LARGE FORMAT FABRICATION & CONTRACT MANUFACTURING

MSG works closely with its sister company, Richland Industries, LLC for large fabrication and contract manufacturing. Richland primarily serves the water treatment, mining and oil and gas industries.



NASA Lunar Crew Module Mock-up

Mining Industry Diaphragm



Stainless Steel Center Tube for Clean Water Processing



21 Heavy Duty Overhead Cranes	More Than 400,000 Sq/Ft of Manufacturing Space
CNC Programmers	Laser Cutting
CNC And Manual Machining	Waterjet Cutting
Fabricating	Plasma Cutting
Conventional And CNC Turning (Lathe)	Conventional Cutting
Conventional And CNC Milling	Sandblasting
MIG and TIG Welding	Wet Paint (CARC Capable)
Press Braking	Powder Coating (CARC Capable)
Grinding	Program Management
Rolling	ISO 9001: 2015 Certified

Both **MSG** and **Richland** are owned by the same owners. Both companies are certified Service-Disabled Veteran Owned Small Businesses. Richland Industries is also a certified HUB Zone entity.

**BECAUSE
LIVES
DEPEND
ON IT**



**MILITARY
SYSTEMS
GROUP**

PRODUCT CATALOG

Military Systems Group, Inc.

736 Fesslers Lane

Nashville, Tennessee 37210

615-256-4248

www.milsysgroup.com

info@milsysgroup.com

AS9100 CERTIFIED
ISO 9001

GSA GS-07F-5960R

DUNS 62734704

ITAR REGISTERED

CAGE ODDWS

MADE IN USA

SDVOSB

FFL Type 10

NIST800.171
and CMMC Rated