

# NEW: Megamat™ RS Vertical Carousel

Experience Innovation:

- The New Kardex Remstar Megamat RS Vertical Carousel
- High density storage: saving space, time and money

kardexremstar

Megamat RS 350

**new**

SUPERIOR DESIGN

**AUTOMATIC  
CHAIN TENSIONER**

LOW POWER  
CONSUMPTION

**INTERCHANGEABLE  
CARRIER CONCEPT**

## **NEW:** Kardex Remstar Megamat RS Vertical Carousel

The best of both worlds: The fusion of reliability and security in a new generation of dynamic storage technology.



### **The Kardex Remstar Megamat RS Vertical Carousel utilizes the goods to person concept to increase productivity while saving up to 75% floor space.**

**The compact design of the new Kardex Remstar Megamat RS Vertical Carousel ensures maximum storage density using minimal floor space.**

#### **The Principle**

Shelves or drawers rotate up or down via the shortest path, automatically delivering stored items to an operator at an ergonomically positioned pick window. Each unit is compatible with an entire suite of software and controls or can be used as a standalone solution.

**Reliability:** Megamat Vertical Carousels have a higher MTBF (Mean Time Between Failure Rate) than most household appliances. An emergency hand crank makes inventory available 24-7 regardless of available power.

**Safe & Secure:** The Megamat RS Vertical Carousel is equipped with both personnel and product photocells for maximum safety. Stored goods are protected from unauthorized access by a lockable door. Security can be further increased with FastPic inventory management software providing password protection and transaction tracking for single or multiple items.

**Increase Productivity:** Utilizing the goods to person concept eliminates wasted time spent walking and searching to find required parts. With the Megamat RS Vertical Carousel all products are delivered to the work station, increasing productivity up to 2/3.

**Save Floor Space:** Taking advantage of unused overhead space, the Megamat RS Vertical Carousel can recover up to 75% of the floor space typically required by shelving and drawer systems. The recovered floor space can be used for value added activities such as additional manufacturing or quality checking.

**Improve Pick Accuracy:** Various QuickPick® pick-to-light technologies can be integrated to increase accuracy up to 99.9%. A TiC (Transaction Information Center) located on the work counter can pinpoint the exact location of the part requested by displaying the location, part number and quantity for the operator to pick or put.

**Ergonomics:** All shelves and drawers are delivered to an ergonomically correct height eliminating operator bending and reaching reducing operator fatigue.



# new

SUPERIOR DESIGN

AUTOMATIC  
CHAIN TENSIONER

LOW POWER  
CONSUMPTION

INTERCHANGEABLE  
CARRIER CONCEPT



**C3000 Drive & View:** The C3000 control system comes standard and features drive and view operation. With the touch of a button the user can drive the carriers around the track and view the goods in each carrier, stopping as needed. The C3000 controller runs independently of a warehouse management system and can be mounted in the right side panel or at any location on the overhead multifunctional profile.

**Inventory Control:** FastPic5 Inventory Management Software can be integrated to optimize picking providing increased density, productivity, accuracy and security. A suite of FastPic5 software is available offering a range of options from basic inventory management to full order picking management integrated with your existing ERP/WMS system. A confirmation button or bar is also available for high speed picking applications.

### **New Modular Structure**

With a redesigned structure, end frame panels can be split into multiple sections allowing height to easily be added or subtracted to meet future requirements. Transport rollers allow the machine to be relocated within the facility with little downtime.

### **Reduced Life Cycle Costs**

The Megamat RS Vertical Carousel offers reduced installation and maintenance life cycle costs.

**Lower Power Consumption:** Through the unique combination of drive motor, high efficiency transmission and precision calibrated frequency converter, the new Megamat RS vertical carousel requires 40% less energy than other vertical carousels.

**Cost Conscious Design:** Compared to other models, certain components of the new Megamat RS vertical carousel combine to achieve an overall unit weight reduction of up to 50%.

**Automatic Chain Tensioner:** The new automatic chain tensioning system reduces stretching and wear and tear on the load chain resulting in a more reliable system requiring less maintenance.

### **Innovations At A Glance:**

- Innovative Modular Structure
- Reliable 100% Access At All Times
- Physical & Logical Product Security Barriers
- Interchangeable Carrier Concept
- Energy Saving Drive Technology
- Reduced Material Consumption
- Simple, Fast & Safe Clip Panel Assembly

123456789

- Simple, Fast & Safe Clip Panel Assembly

# More space: Now it stores everything.

The new Megamat RS offers eight advantages for the economic and safe storage of your parts.



1

## More space. Better organisation.

- Up to 60 percent more storage capacity
- Well organized storage of small parts
- Positioned at the point of use, rapid access
- Suitable for all customary storage containers and storage bins

2

## Speed and Productivity

- Very high picking productivity
- High running speed
- Optimized utilization and reduction of storage space
- Reduced picking errors
- Short picking times
- Position indication

3

## Individuality and Flexibility

- **NEW:** Modular design
- Wide range of retrofit options
- **NEW:** Carrier concept
- Multiple options
- Stand-alone or integrated solution

4

## Quality and Efficiency

- Noticeably reduced life cycle costs (TCO) – Avoid, not reclaim
- Certified Quality and Environment Management Systems
- Made in Germany – by specialists for automated vertical carousel systems
- World-wide service network: Kardex Remstar Life-Cycle-Management







5

#### Safety

- **NEW:** Emergency hand crank in case of power failure
- **NEW:** Clip system for simple, rapid assembly and greater system stability
- Access control
- Optimized protection for personnel and stored products



6

#### Ergonomic Design

- "Goods to person" principle
- "Drive and view"
- Optimized user-friendliness
- Multifunctional profile: customised attachment for operator controls and accessories
- **NEW:** Ultra-smooth sliding doors
- Confirmation bar

7

#### Technology

- Modern design
- **NEW:** Low-wear operation by using automatic chain tensioner
- Modern endurance-tested materials
- Unit control using optional FastPic5 Inventory Management Software

8

#### Investment Security

- Long service life
- **NEW:** Retrofit and conversion packs to change application
- Kardex Remstar: your reliable partner
- Get tomorrow's technology today

## **NEW:** Kardex Remstar Multi Purpose Carriers. Interchangeable, Highly Adaptable & Configurable Carrier Concept.

Multi purpose carriers can be equipped with inserts, roll out drawers, intermediate shelves, partitions and speciality holders and can be configured to hold items, totes, containers, cases and cartons.

Each carrier has a partial top to prevent carrier overloading. All carriers have a fixed 0.3 inch front lip to prevent stored goods from migrating out. Carrier depth clips can be added to provide a higher or deeper front lip, securing various sized totes or boxes from migrating out.

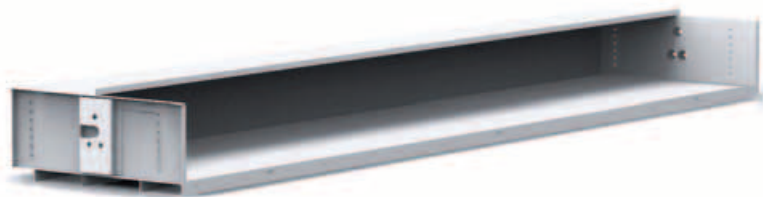
Commonly Stored Items Include:

- Automotive Parts
- Boxes
- Dies
- Electronics
- Fasteners
- Finished Goods
- Fixtures
- FOUPS & FOSBES
- Labels
- Laboratory Equipment
- Pharmaceuticals
- Raw Materials
- Reels
- Samples
- Spare Parts
- Tools

Multi purpose carriers can be configured for almost any purpose!

Each carrier can be individually configured using to create a unique storage system specific to the exact needs of your application.

## **NEW:** Flexible Storage



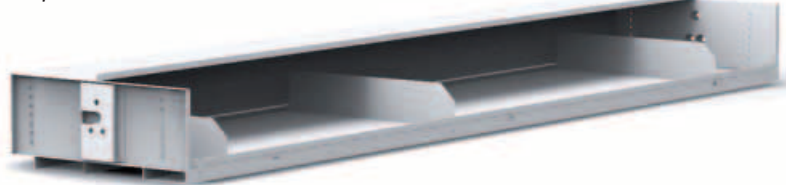
Multi Purpose Carriers Provide Various Storage Options



Drawer Carriers For Secure & Convenient Storage



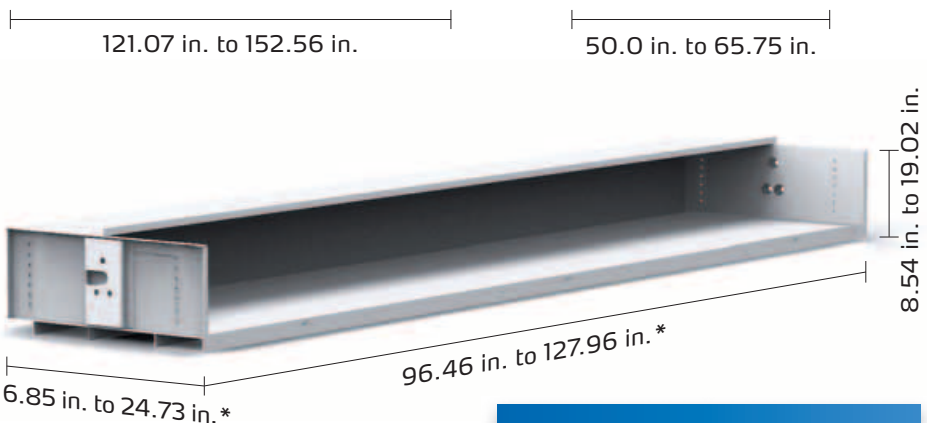
Carrier with built-in drawers, separator set and intermediate shelf



Partitioned Carriers For Easy Sorting of Stored Goods



Additional Intermediate Shelves Provide More Storage Locations Per Carrier



### Technical Information

Unit Dimensions	RS 350	RS 650
Width	121.07 in.	125.00 in.
	128.94 in.	132.87 in.
	136.82 in.	140.75 in.
	144.69 in.	148.62 in.
	152.56 in.	156.50 in.
Height	min. 92.91 in.	
	max. 394.10 in.	
Depth	50.04 in.	51.61 in.
	57.91 in.	59.49 in.
	65.79 in.	67.36 in.
<i>Special dimensions on request</i>		
<b>Usable Carrier Dimensions</b>		
Width	94.46 in.	94.46 in.
	104.33 in.	104.33 in.
	112.21 in.	112.21 in.
	120.08 in.	120.08 in.
	127.96 in.	127.96 in.
Height	8.54 in.	9.72 in.
	10.04 in.	11.73 in.
	11.54 in.	13.70 in.
	13.03 in.	15.71 in.
	14.53 in.	17.72 in.
	16.02 in.	
17.52 in.		
19.02 in.		
Depth	16.85 in.	16.85 in.
	20.79 in.	20.79 in.
	24.73 in.	24.73 in.

Unit Imbalance		
max.	2,645 lbs.	4,630 lbs.
Load per Carrier		
max.	772 lbs.	1,433 lbs.
Unit Load		
max.	27,558 lbs.	41,887 lbs.

- Standard Colors**
- Access Opening:**  
 RAL 3003 Ruby Red  
 RAL 5005 Signal Blue  
 RAL 5014 Pigeon Blue  
 RAL 5015 Sky Blue  
 RAL 5019 Capri Blue  
 RAL 6011 Reseda Green  
 RAL 6025 Fern Green  
 RAL 7004 Signal Grey  
 RAL 7012 Basalt Grey  
 RAL 7035 Light Grey

Panels and Carriers: RAL 7035 Light Grey  
 Corner Profiles: RAL 7004 Signal Grey  
 Other Colors Available Upon Request

- Standard Features & Options:**
- Access Windows On Multiple Floors
  - Pick -to-Light Technology
  - Controlled User Access
  - Bar Code Integration
  - RemStore Totes Designed To Provide 15% More Capacity
  - Local 24/7 Factory Licensed Service
  - Inventory Mangement Software
- Special Features & Options:**
- Meets Clean Room Requirements
  - Refrigerated & Freezer Models
  - Integrated Work Stations for Batch Order Picking
  - Robotic Interface

\* Usable Carrier Dimensions (For further details, see Technical Information)



Further Information:  
[www.kardexremstar.com](http://www.kardexremstar.com)



# Kardex Remstar: Always close to you. Worldwide.



Australia  
Austria  
Belgium  
Canada  
China  
Cyprus  
Czech Republic

Denmark  
Finland  
France  
Germany  
Great Britain  
Hungary  
India

Ireland  
Italy  
Mexico  
Netherlands  
Norway  
Poland  
Russia

Singapore  
Slovakia  
Spain  
Sweden  
Switzerland  
Turkey  
USA



1104-0311-US-1001-MDS

**Further Information:**  
[www.kardexremstar.com](http://www.kardexremstar.com)